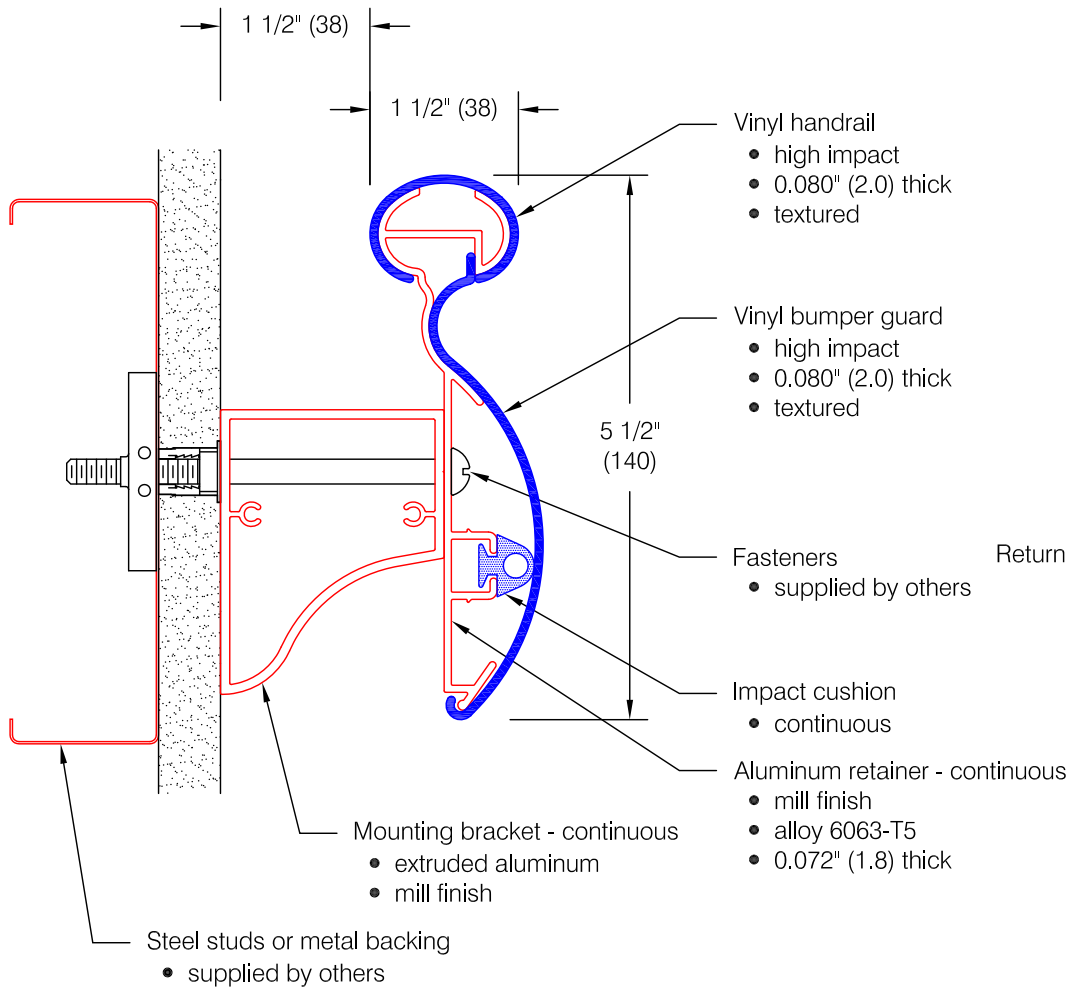


**BR-600VS Handrail With Continuous Security Bracket**

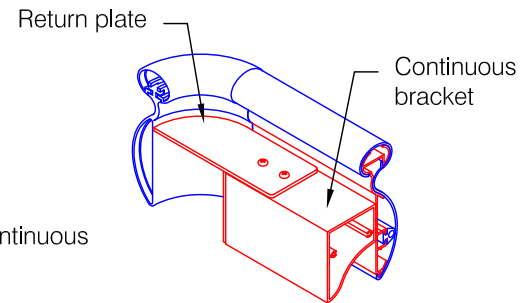


*Features:*

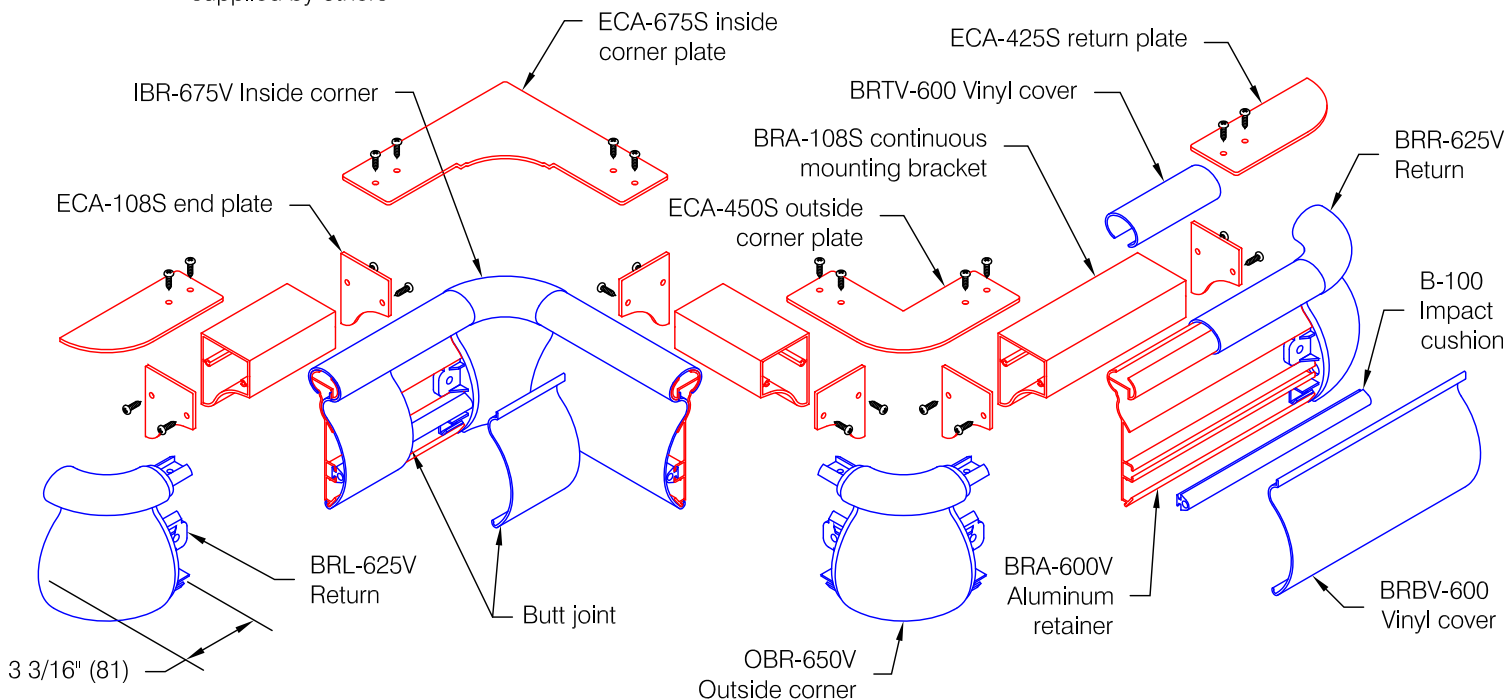
- Class A fire rating
- Molded returns - with hardware
- Molded outside corners - with hardware
- Molded inside corners - with hardware
- Stock length - 12'-0 (3658)

*Finishes:*

- Manufacturer's standard colors
- Custom colors available



*Rear View of Wall Return Assembly*



*Pawling Corporation reserves the right to discontinue a design or modify an existing design without prior notice*

Customer :	Project :	WD.5.3b
Architect :	Sales Rep :	