

BR-4EVS Handrail - Standard Options

Features:

Snap on Handrail

- ADA Compliant
- Class A fire rating
- Molded returns - with hardware
- Molded outside corners - with hardware
- Stock length 12'-0" (3658)
- Concealed wall mount hardware

Crash rail

- stainless steel, type 304
- chamfered edges
- #4 satin finish

Finishes:

Snap-on Handrail Cover

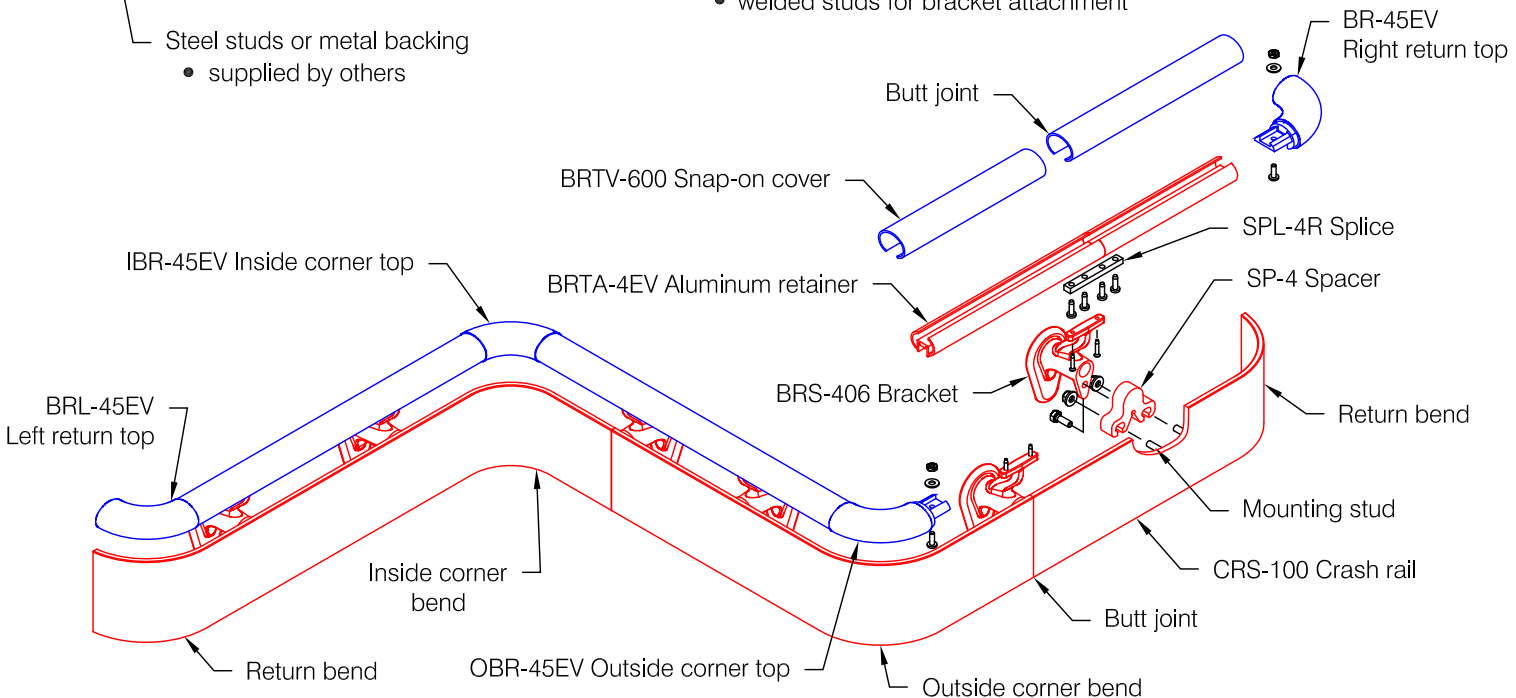
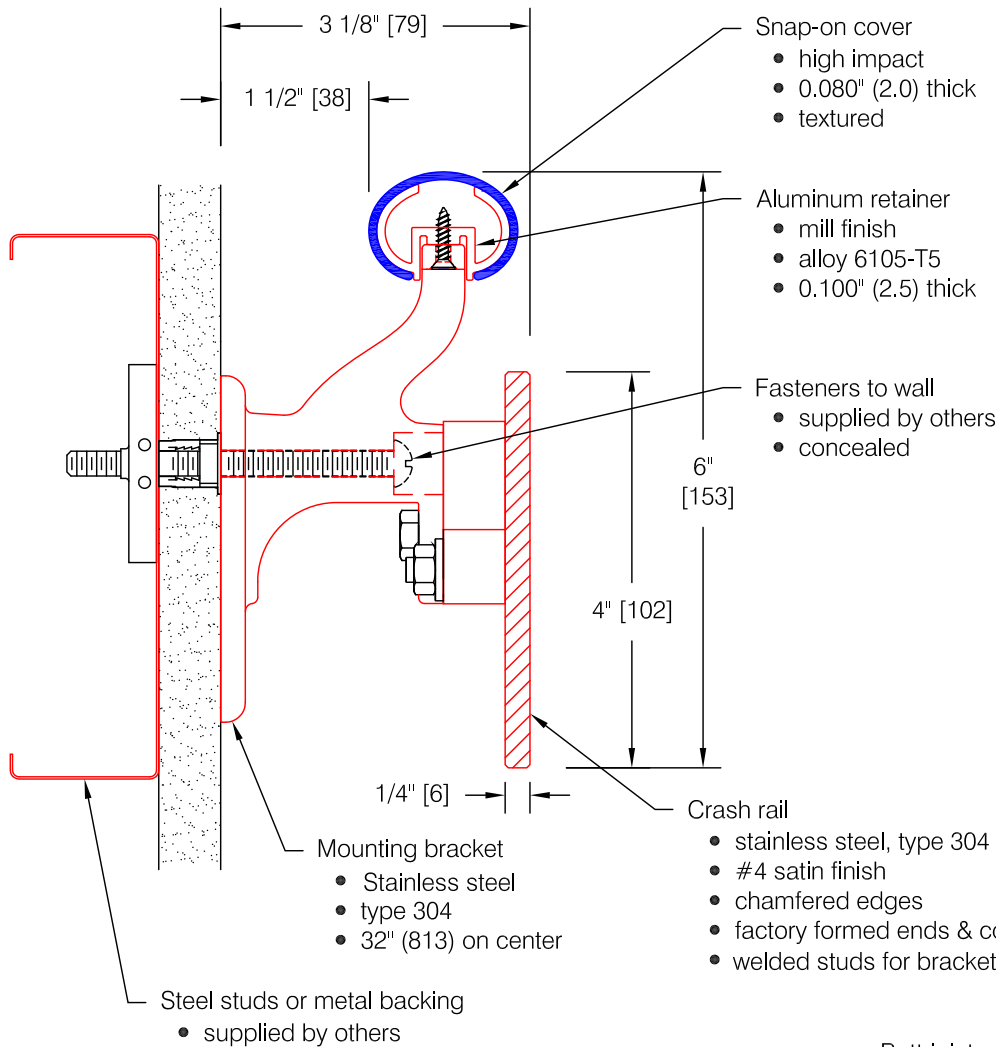
- Manufacturer's standard colors
- Custom colors available

Crash rail and Mounting Bracket

- #4 satin finish

Optional Bracket

- Powder coated aluminum
- Manufacturers standard colors
- Custom colors available



Pawling Corporation reserves the right to discontinue a design or modify an existing design without prior notice

Customer :	Project :	WD.193.0a
Architect :	Sales Rep :	