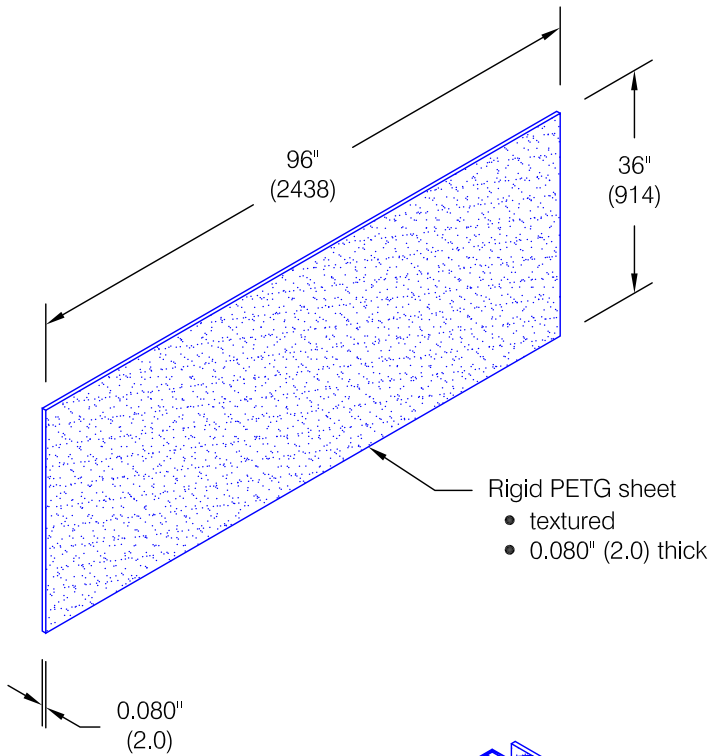


WP-80 Wall Covering



Features:

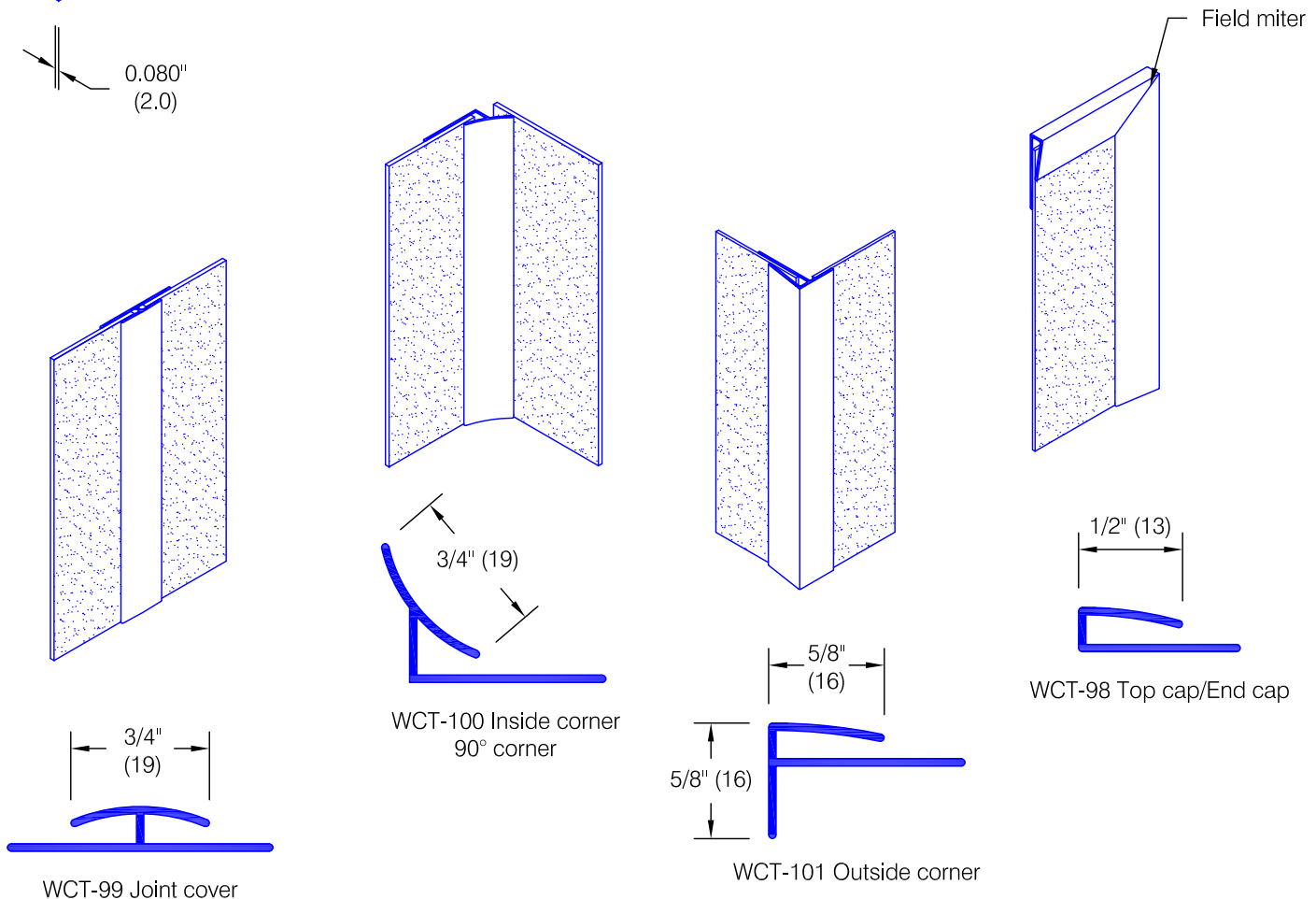
- Standard size 3'-0" (914) x 8'-0" (2438) sheets
- Custom sizes are available (minimums apply)

Finishes:

- Manufacturer's standard colors
- Custom colors available

Mounting Options:

- Adhesive (supplied separately)
 - ADH-60 mastic adhesive
 - ADH-30 contact adhesive



Pawling Corporation reserves the right to discontinue a design or modify an existing design without prior notice

Customer :	Project :	WD.66P.1
Architect :	Sales Rep :	