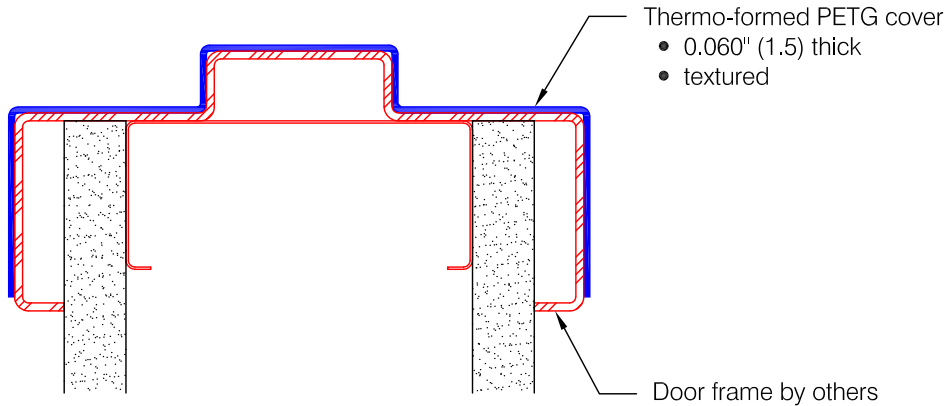


DFC-1P Door Frame Guard



Features:

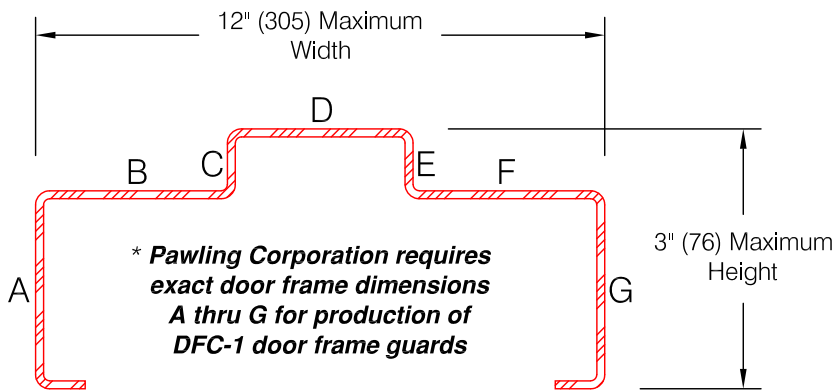
- Class A fire rating
- NFPA-252 (UL10b) approved for use on 90 minute wood and 180 minute steel fire rated door assemblies
- Optional hospital stops available

Finishes:

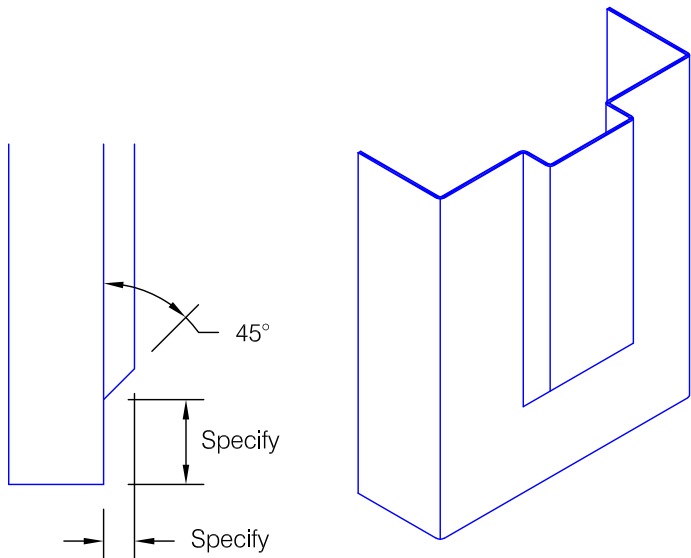
- Manufacturer's standard colors
- Custom colors available

Mounting Options:

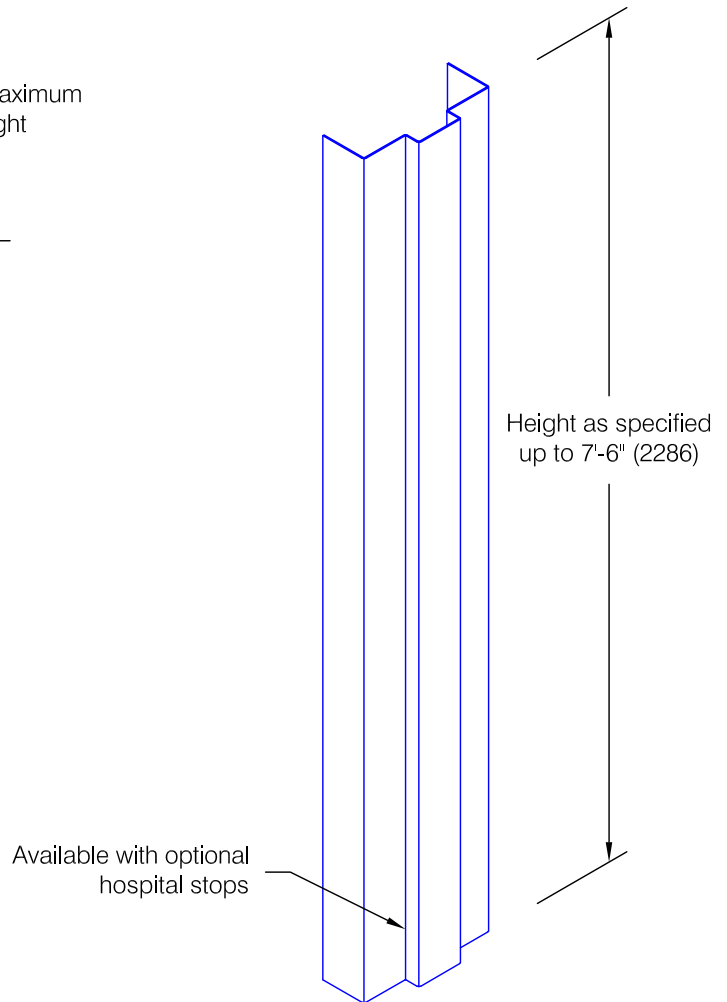
- ADH-30 adhesive supplied separately



Frame Dimensioning Detail



Optional Hospital Stop



*** Maximum Length: 7'-5" (2261)**

Pawling Corporation reserves the right to discontinue a design or modify an existing design without prior notice

| | | |
|-------------|-------------|-----------|
| Customer : | Project : | WD.133P.0 |
| Architect : | Sales Rep : | |