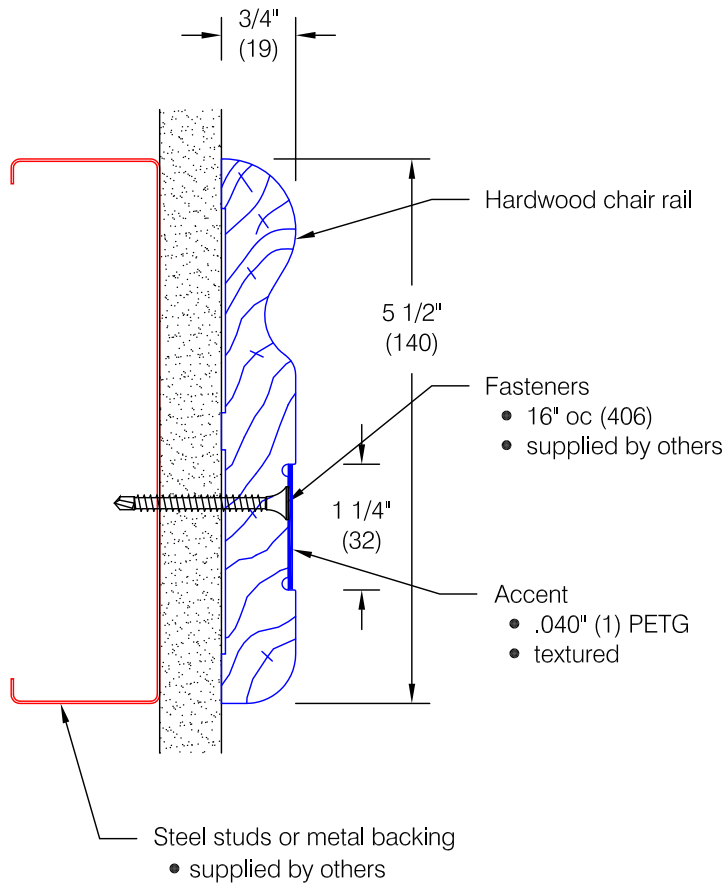


CRW-10AP Chair Rail - Standard Options



Features:

- PVC-Free materials
- Milled end caps
- Stock lengths:
 Wood - random 6'-0" (1829) to 16'-0" (4877)
 Accent - 8'-0" (2438)

Finishes:

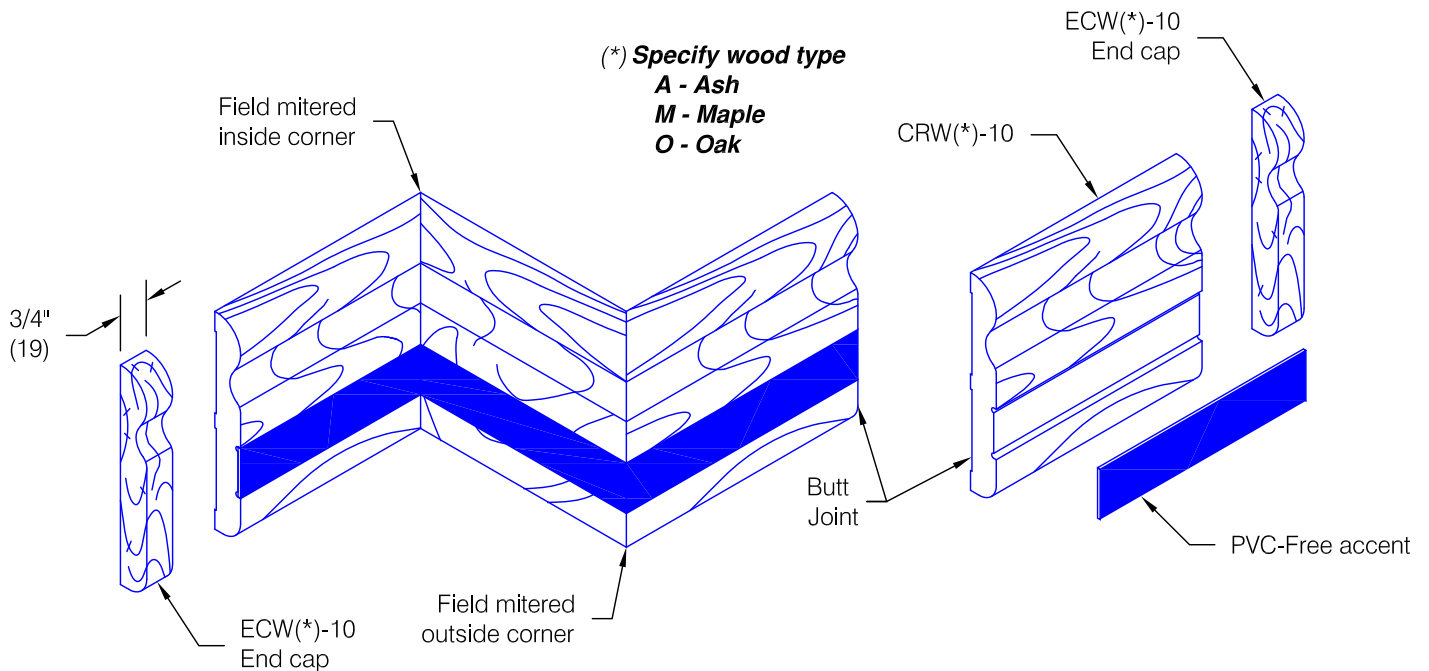
Accent

- Manufacturer's standard colors

Wood

- Manufacturer's standard stain colors
- Ash, maple, or oak hardwoods
- Custom woods are available
- Custom stain colors are available

All hardwoods have their own "personality" or special characteristics. Finish may vary due to natural variations in wood color, grain and texture



(* **Specify wood type**

- A - Ash**
- M - Maple**
- O - Oak**

Pawling Corporation reserves the right to discontinue a design or modify an existing design without prior notice

Customer :	Project :	CRW10AP
Architect :	Sales Rep :	