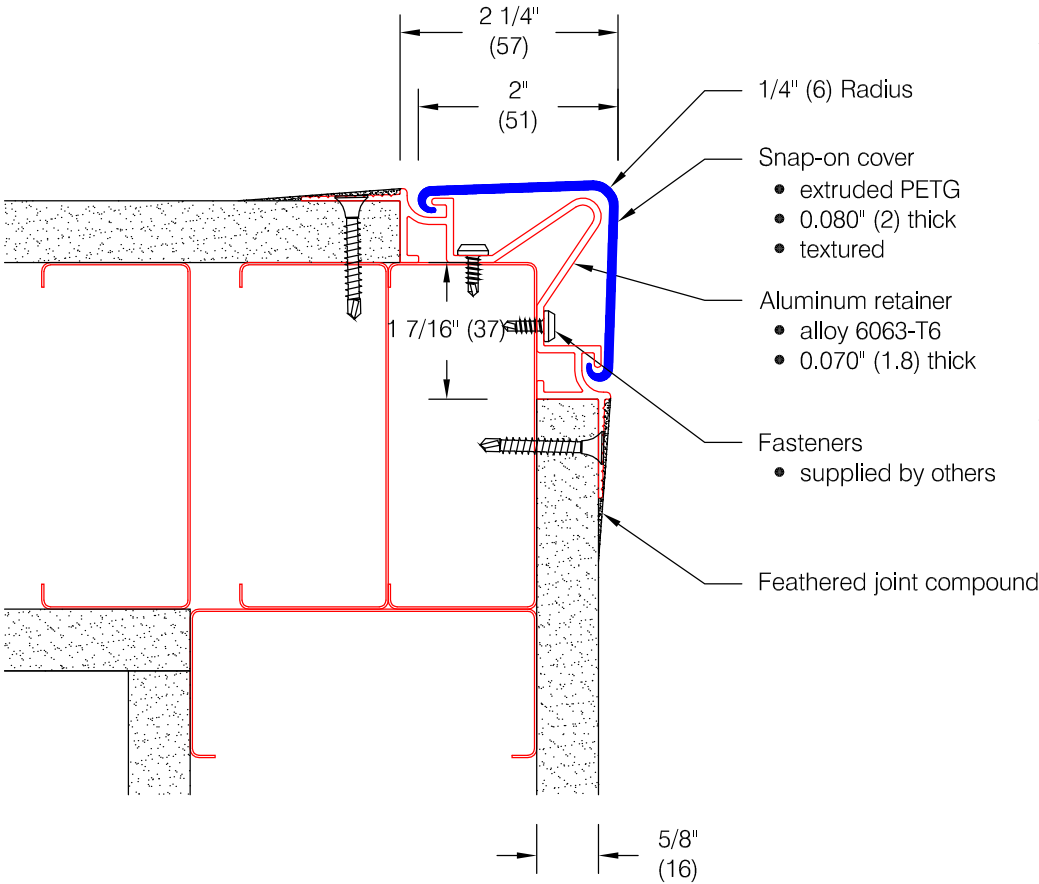


CGT-72P Corner Guard

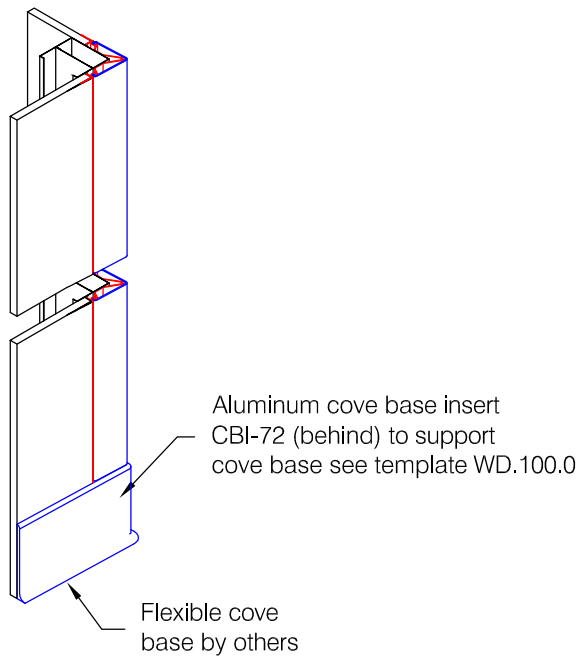


Features:

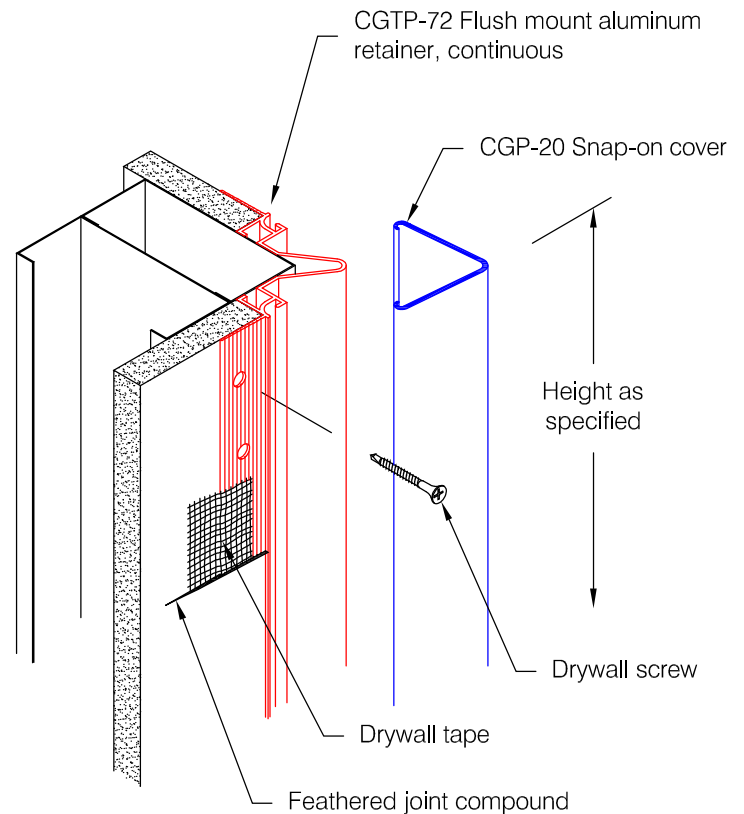
- PVC-Free materials
- Class A fire rating
- "Drop-in" installation follows completion of drywall mounting
- Stock lengths: 8'-0" (2438), 9'-0" (2743), 10'-0" (3048), and 12'-0" (3658)
- Custom cut lengths available
- Available with aluminum cover base insert for use with cover base standard in 4" (102) and 6" (152) heights

Finishes:

- Snap-on cover (textured)
- Manufacturer's standard colors
 - Custom colors available
- Aluminum retainer
- Mill finish aluminum



Optional Cover Base Insert



Pawling Corporation reserves the right to discontinue a design or modify an existing design without prior notice

Customer :	Project :	WD.75P.0
Architect :	Sales Rep :	