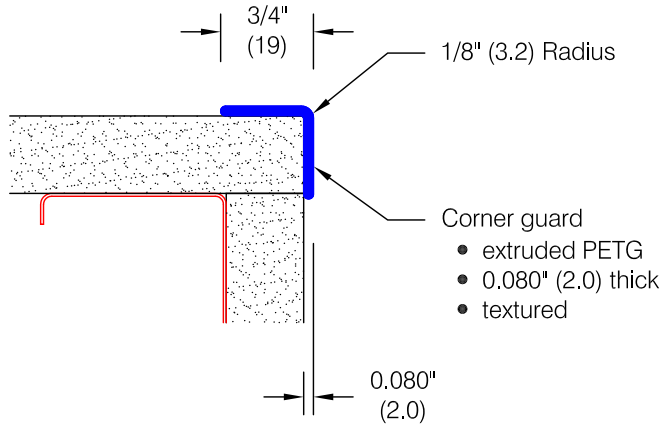


# CG-34P Corner Guard



*Features:*

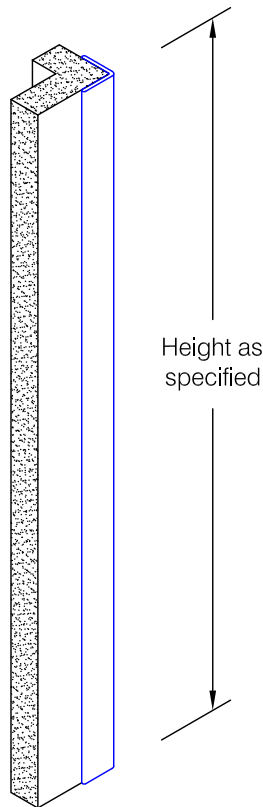
- PVC-Free materials
- Class A fire rating
- Stock lengths:  
4'-0" (1219), 8'-0" (2348) & 12'-0" (3658)

*Finishes:*

- Manufacturer's standard colors
- Custom colors available

*Mounting Options:*

- Adhesive  
ADH-30 adhesive supplied separately
- Taped  
ADH-4042 double sided adhesive tape factory applied to corner guard



*Pawling Corporation reserves the right to discontinue a design or modify an existing design without prior notice*

Customer :	Project :	WD.109P.0
Architect :	Sales Rep :	