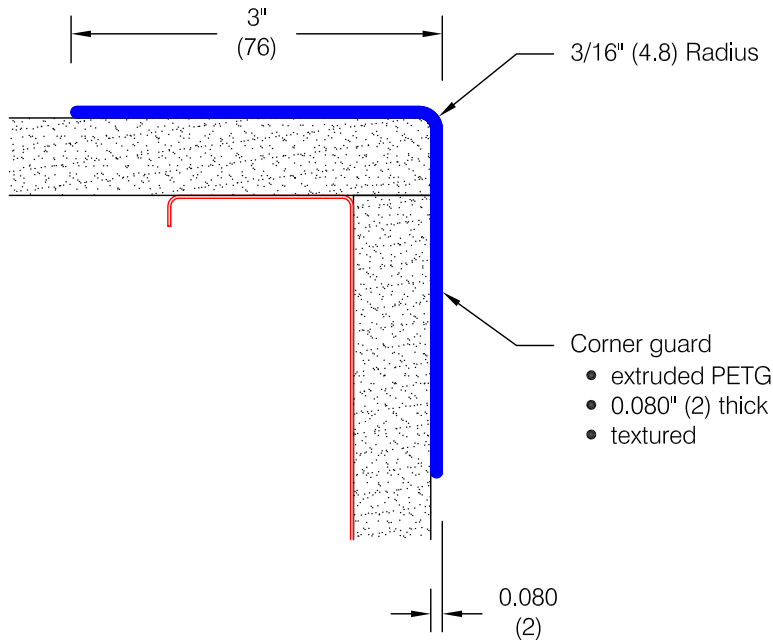


# CG-13P Corner Guard



### Features:

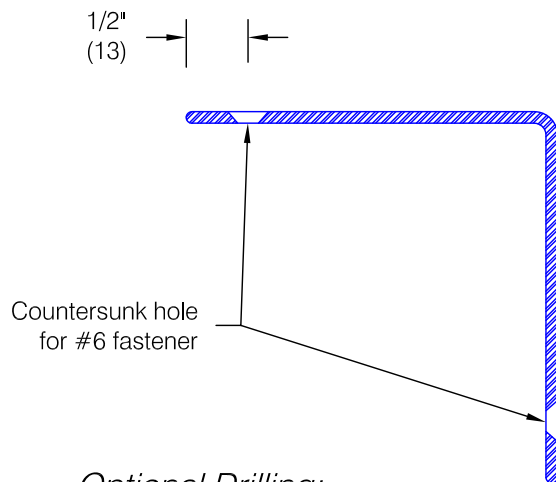
- PVC-Free materials
- Class A fire rating
- Stock lengths:  
4'-0" (1219), 8'-0" (2438) & 12'-0" (3658)

### Finishes:

- Manufacturer's standard colors
- Custom colors available

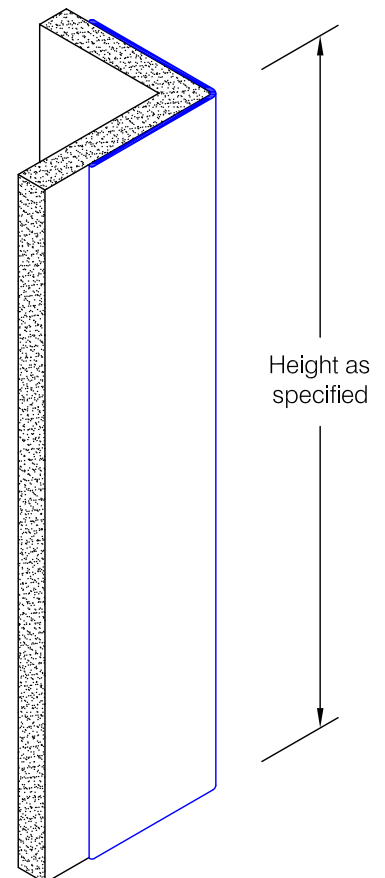
### Mounting Options:

- Adhesive  
ADH-30 adhesive supplied separately
- Drilled  
Countersunk holes for ABSS-134 #6 x 1 1/2" (38) oval head sheet metal screw supplied separately as required
- Taped  
ADH-4042 double sided adhesive tape factory applied to corner guard



### Optional Drilling:

- Standard spacing: 1" (25) from each end and spaced evenly not to exceed 36" (914) oc



Pawling Corporation reserves the right to discontinue a design or modify an existing design without prior notice

Customer :	Project :	WD.111P.0
Architect :	Sales Rep :	