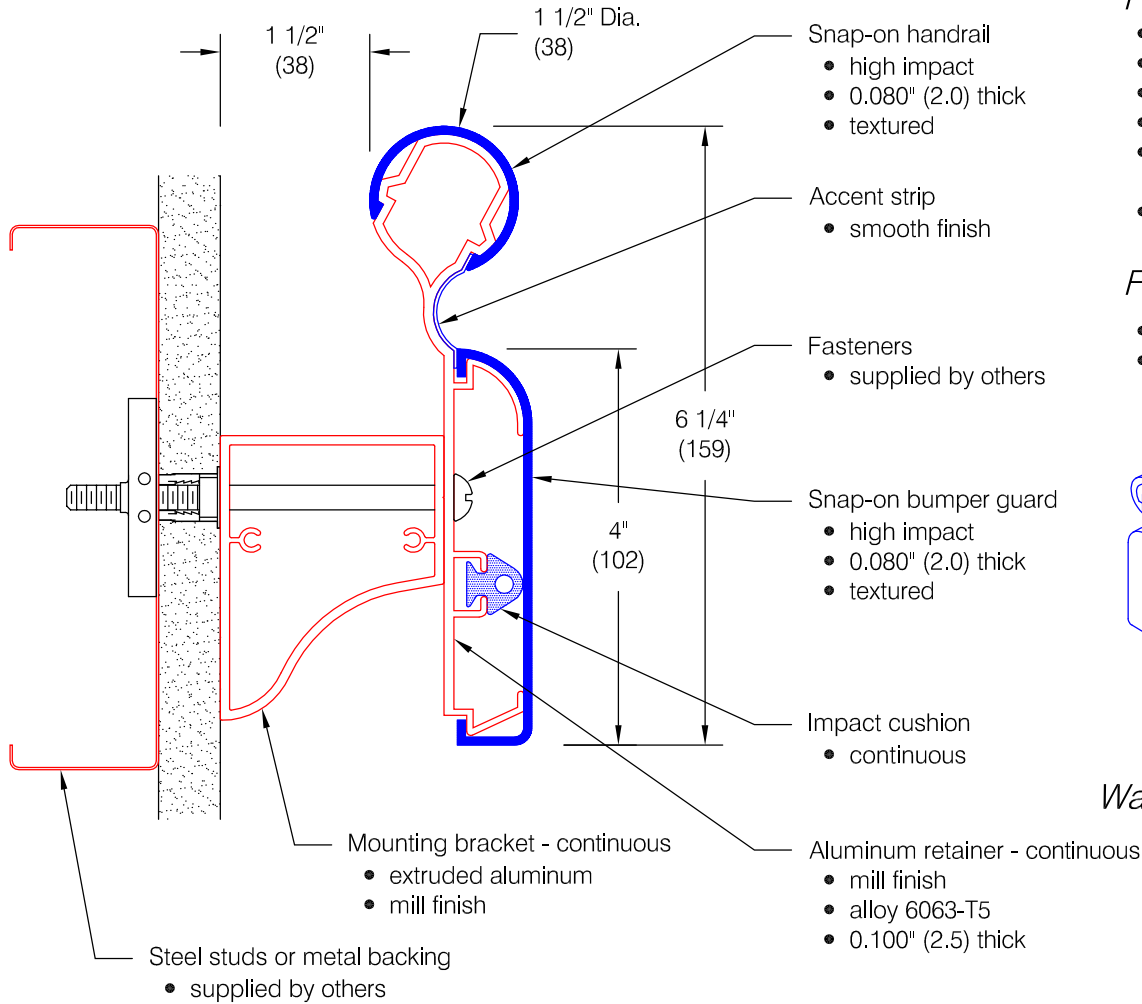


BR-400PS Handrail With Continuous Security Bracket

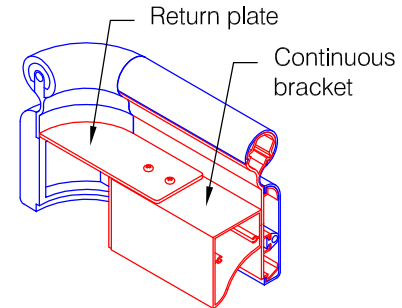


Features:

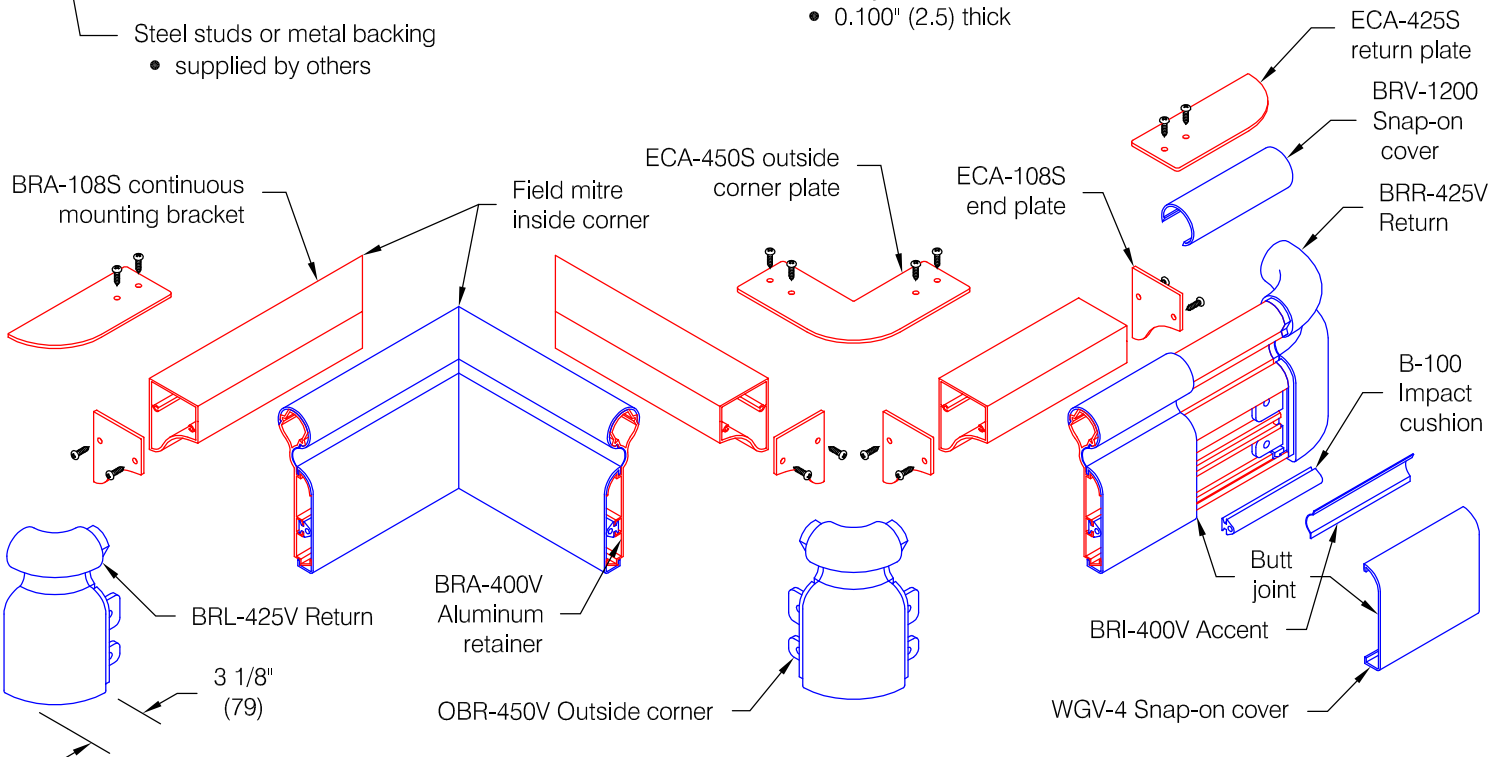
- PVC-Free materials
- ADA Compliant
- Class A fire rating
- Molded returns - with hardware
- Molded outside corners - with hardware
- Stock length - 12'-0" (3658)

Finishes:

- Manufacturer's standard colors
- Custom colors available



Rear View of Wall Return Assembly



Pawling Corporation reserves the right to discontinue a design or modify an existing design without prior notice

Customer :	Project :	WD.1P.2
Architect :	Sales Rep :	