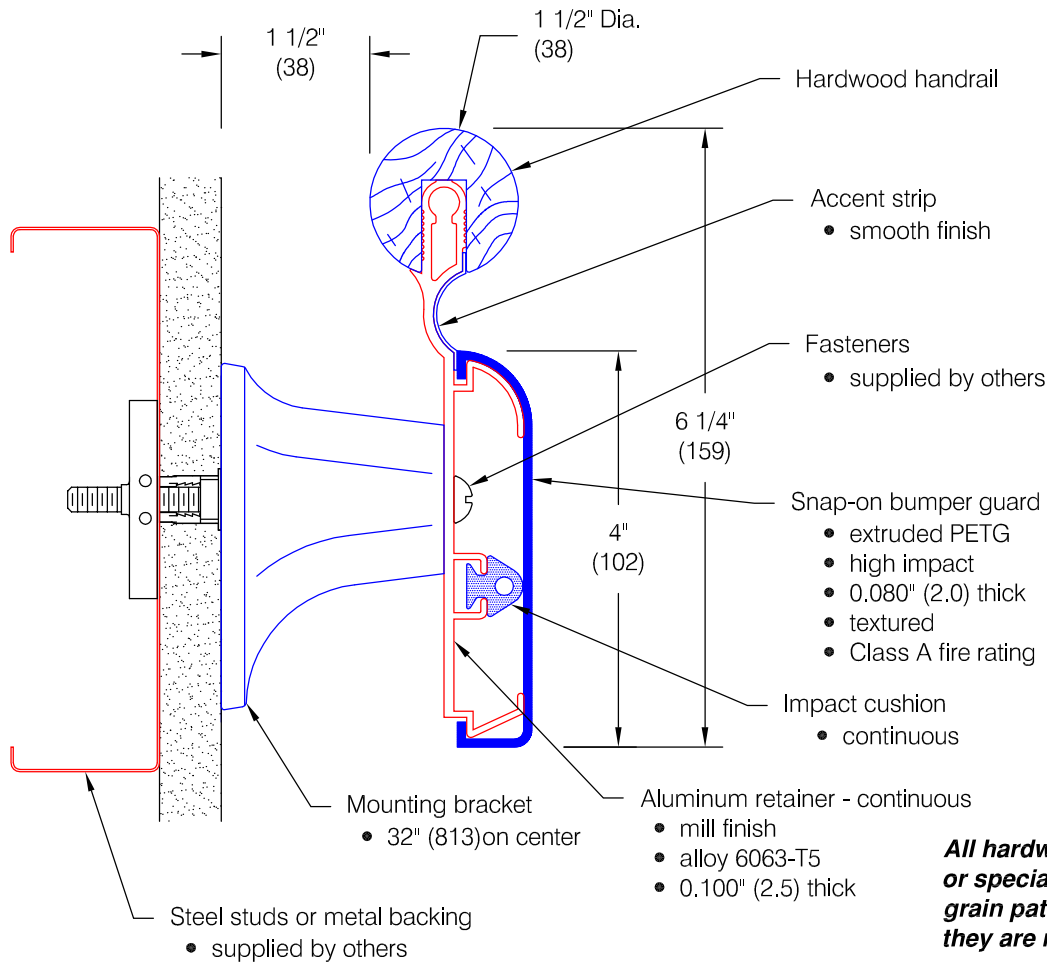


BR-400CP Handrail - Standard Options



Features:

- PVC- Free material
- ADA Compliant
- Wall returns - with hardware
- Outside corners - with hardware
- Stock lengths:
Wood - random 6'-0" (1829) to 16'-0" (4877)
Vinyl & Aluminum - 12'-0" (3658)

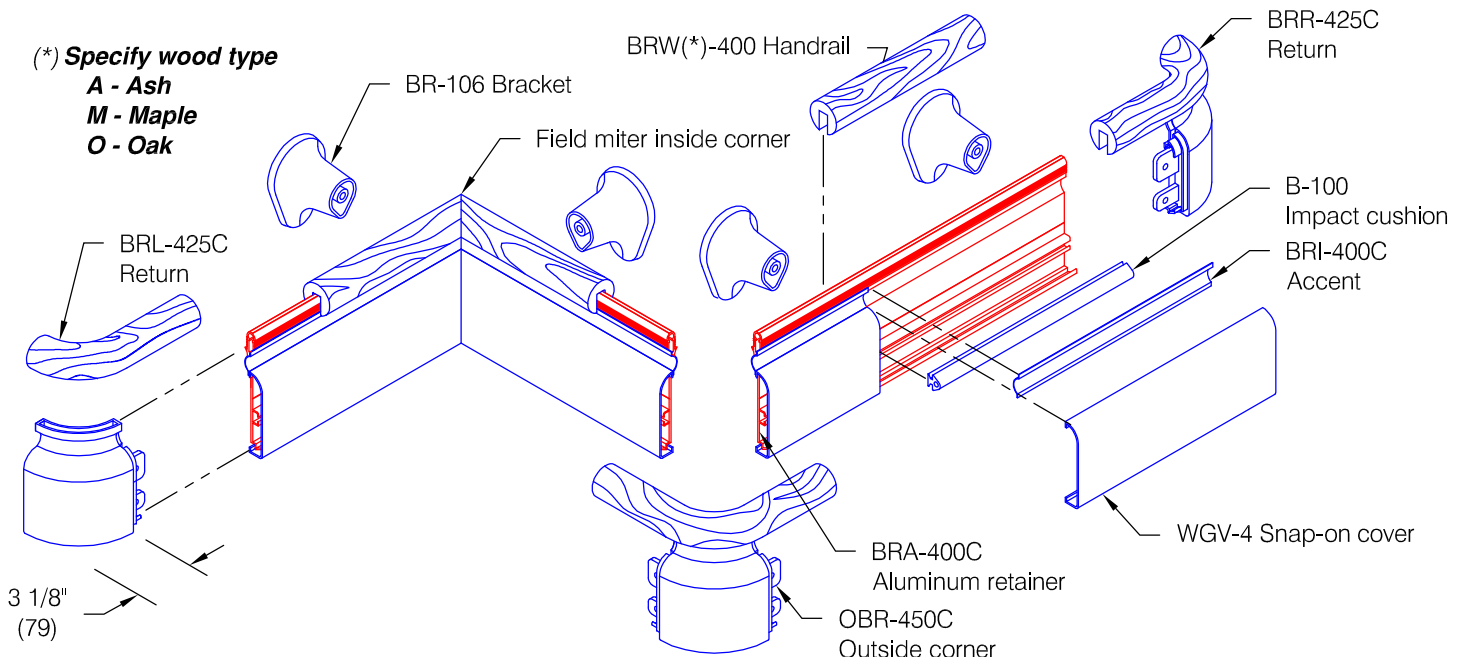
Finishes:

- PVC - Free material
- Manufacturer's standard colors
 - Custom colors are available
 - Grooved bumper (see WD.4.0)
- Wood
- Manufacturer's standard stain colors
 - Oak, maple, or ash hardwoods
 - Custom woods are available
 - Custom stain colors are available

All hardwoods have their own "personality" or special characteristics. Variations in color, grain pattern, and texture are to be expected, they are natural aspects of these materials.

(* **Specify wood type**

- A - Ash**
- M - Maple**
- O - Oak**



Pawling Corporation reserves the right to discontinue a design or modify an existing design without prior notice

Customer :

Project :

Architect :

Sales Rep :

WD.3P.0