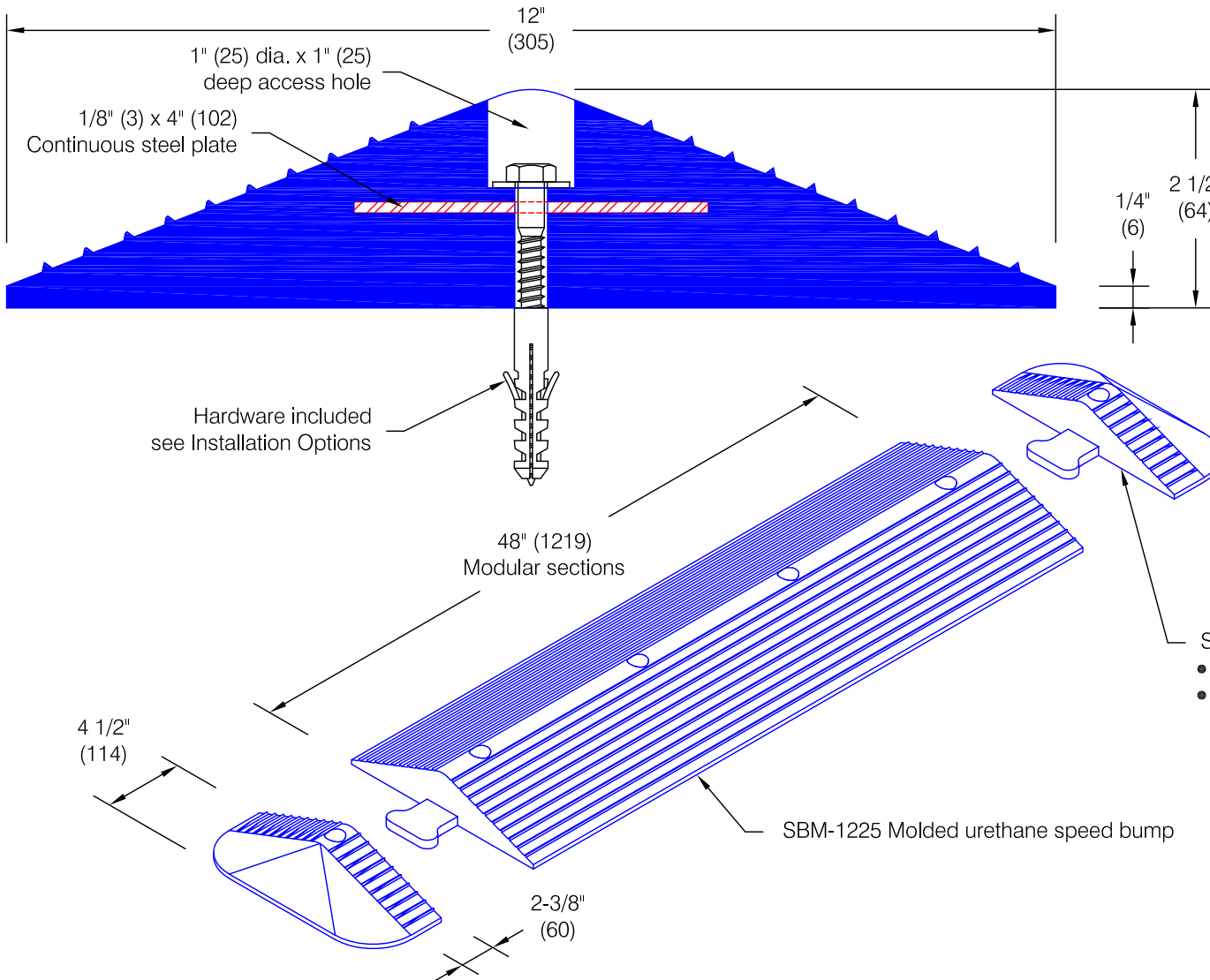


SB-1225 Speed Bump



Features:

- Molded urethane speed bump
- Continuous 1/8" (3) reinforcing steel plate
- Weight: 20 lbs. / section
- Stock length: 4'-0" (1219) modular sections

Installation Options:

- Hardware included per 4 ft length.
 - 4- 5-10 Fisher nylon plugs
 - 4- 5/16" (8) x 3 1/2" (89) Hex lag screws
 - 4- 5/16" (8) Flat washers
 - 4- Dust plugs (#12 x 1 1/2" (38) FH SMS)
- Hardware included per SBEC-1225 end cap set
 - 2- 5-10 Fisher nylon plugs
 - 2- 5/16" (8) x 3 1/2" (89) Hex lag screws
 - 2- 5/16" (8) Flat washers
 - 2- Dust plugs (#12 x 1 1/2" (38) FH SMS)

Standard Color:

- Safety orange #104

Pawling Corporation reserves the right to discontinue a design or modify an existing design without prior notice

Customer :

Project :

Architect :

Sales Rep :

PD.2.0b