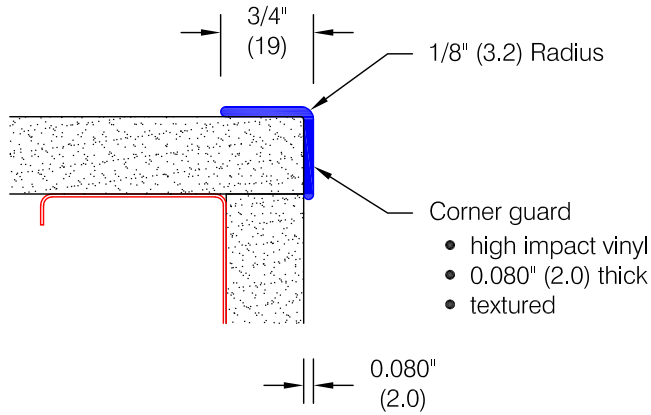


# CG-34 Corner Guard



### Features:

- Class A fire rating
- Stock lengths:  
4'-0" (1219), 8'-0" (2348) & 12'-0" (3658)

### Finishes:

- Manufacturer's standard colors
- Custom colors available

### Available Mounting Options:

- Adhesive, with CGU-34 construction adhesive supplied separately
- Mechanical Fasteners, with CGD-34 countersunk for #6 x 1 1/2" (38) oval head screws, supplied separately
- Adhesive Tape, on CGT-34 double sided adhesive tape factory applied to corner guard
- See alternative mounting details at left

### Alternative Mounting

#### CGU-34

- standard offering
- undrilled, untaped



#### CGT-34

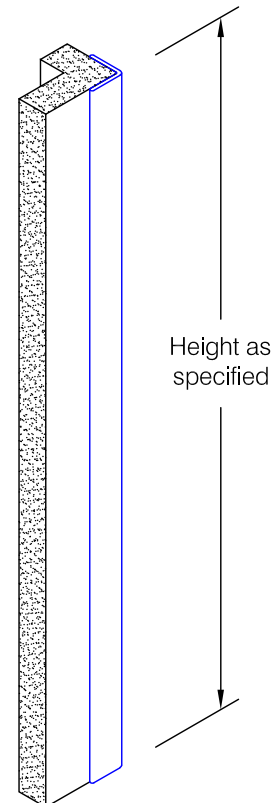
- factory applied adhesive tape
- on inward face of each leg



3/8" (10)

#### CGD-34

- countersunk for #6 fastener
- 1" (25) from each end, spaced evenly not to exceed 36" (914)



Pawling Corporation reserves the right to discontinue a design or modify an existing design without prior notice

Customer :	Project :	WD.109.0b
Architect :	Sales Rep :	