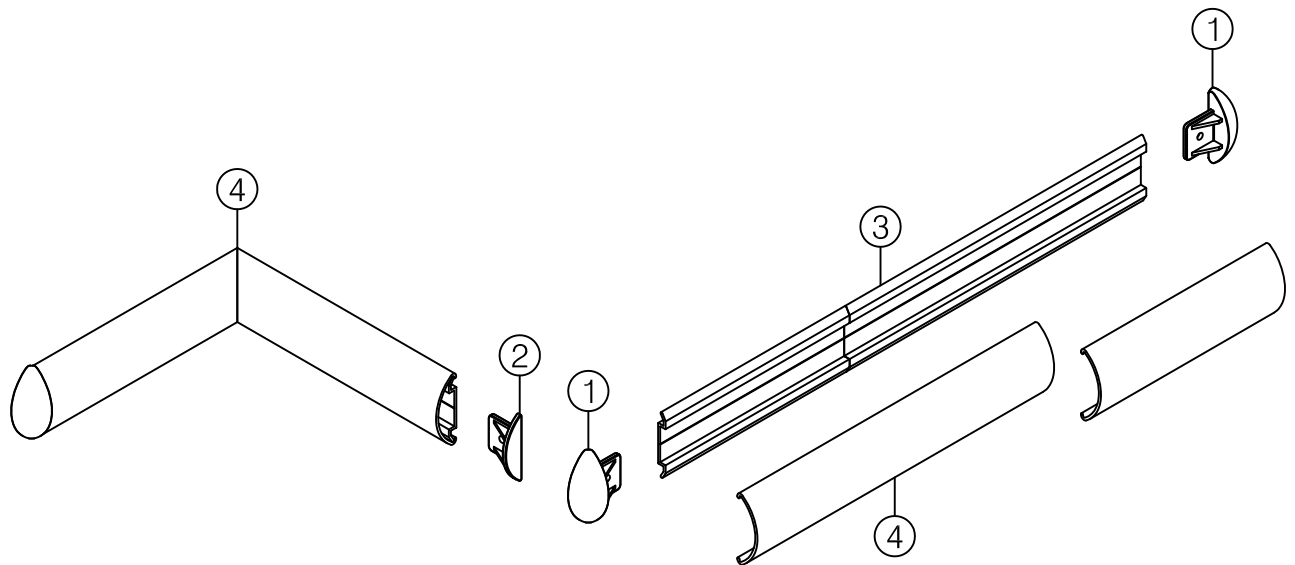
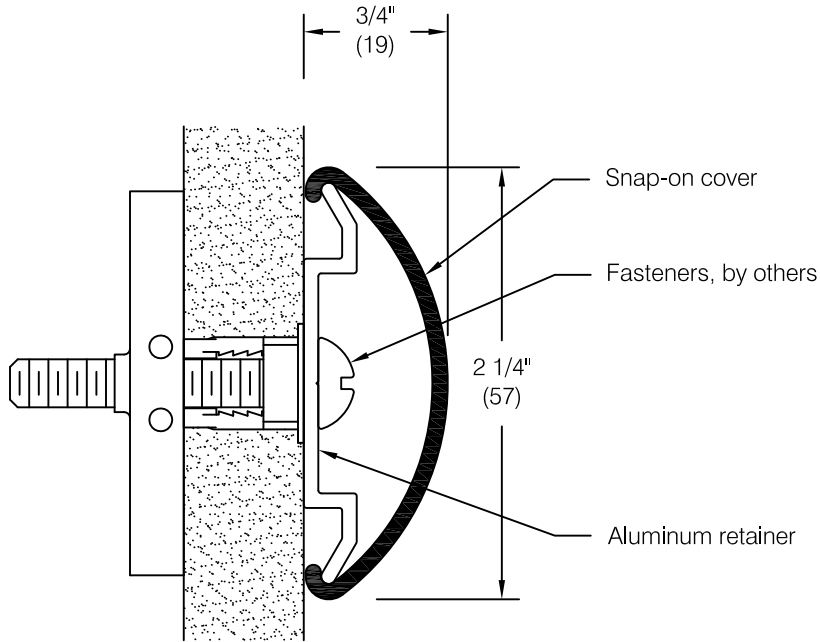


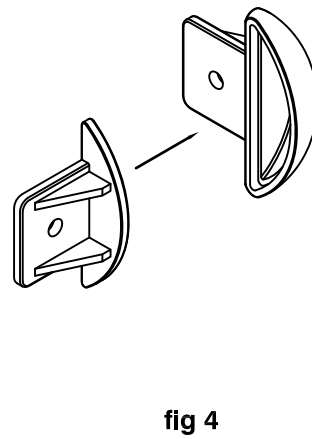
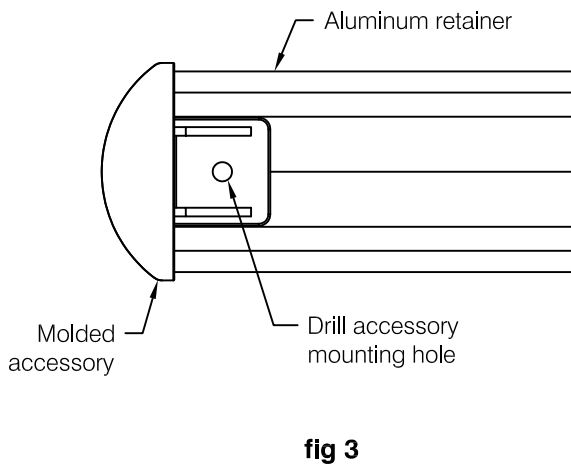
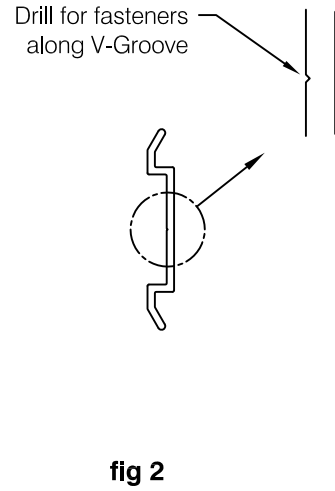
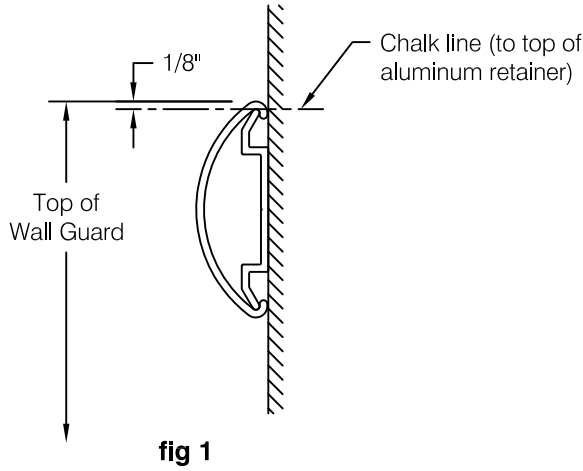
## ***WG-225P Series Wall Guard***



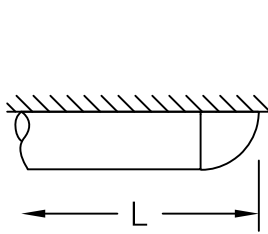
### Component Part Numbers:

- 1) ETC-225 Left/Right end cap
- 2) ETCI-225 Outside corner insert
- 3) WGA-225 Aluminum retainer
- 4) Mitered corner
- 5) WGP-225-12-XXX Snap-on cover

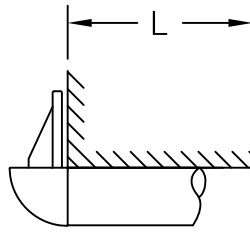
- Step 1:** Determine top of wall guard and snap a chalk line 1/8" below to locate top of aluminum retainer, see **fig 1**.
- Important:** Store material in a clean dry place where the temperature is maintained above 50°F (10°C). Walls and rooms should be maintained at a minimum of 65°F (18°C) for at least 48 hours prior to installation. Acclimate materials to normal building conditions for at least 24 hours before cutting and installing.
- Step 2:** Cut aluminum retainer. See **Cutting Adjustment Diagrams and Schedule** for adjustments to aluminum retainer length at end caps, inside corners, and outside corners. Refer to **Minimum Layout Configurations** for additional information. Aluminum should be mitered to accommodate outside corners that are not 90° and all inside corners.
- Important:** All cuts must be square and deburred.
- Step 3:** Pre-drill clearance holes in aluminum retainer along the centerline of the retainer using a #15 (.180") bit for #8 fastener or a #7 (.201") bit for #10 and 3/16" fasteners, see **fig 2**. Space holes at 16" on center. Adjust spacing to accommodate studs as necessary. Do not pre-drill at locations that will interfere with installation of molded accessories.
- Note:* Drill point fasteners may be used without pre-drilling aluminum on drywall installations having continuous metal backer or studs. Continue to pre-drill at locations where no backing or stud is available.
- Step 3:** Assemble outside corners by press fitting molded insert into end cap, see **fig 4**.
- Step 4:** Pre-drill for installation of molded accessories by inserting accessory in end of retainer. Press firmly to ensure molded part is seated squarely against the retainer. Use hole provided in mounting tab to drill for fastener, see **fig 3**. Refer to **step 5** for suggested hardware.
- Drywall Installation:* Using the accessory as a template pre-drill clearance holes through aluminum for fastening into metal backer or stud. If there is no metal backer, install a drywall anchor to align with accessory mounting hole.
- Masonry Installation:* Using the accessory as a template pre-drill clearance holes through aluminum. Install a masonry anchor to align with accessory mounting hole.
- Note:* In drywall installations, accessories may be attached directly to aluminum retainer using 3/4" Phillips pan head, Type F, thread-cutting machine screws. Pre-drill pilot holes using #26 (.147") bit for #8-32 Type F fastener or a #16 bit (.177") for #10-32 Type F fastener.
- Step 5:** Fasten aluminum retainer to wall using hardware listed below. Align top edge of retainer with chalk line.
- Important:** Begin installation of aluminum at corners allowing for molded accessories. Use the appropriate molded accessory as a spacing guide. See **Cutting Adjustment Diagrams and Schedule** for additional information. Do not fasten through holes pre-drilled for installation of molded accessories until accessories are installed in **step 6**.
- Drywall Installation:* If it is necessary to install fasteners in locations where there is no metal backing or stud use pre-drilled aluminum as a template to mark and drill wall for Toggler® brand toggle bolts, plastic Alligator® insert, or self-drilling drywall anchor in accordance with instructions provided with hardware.
- Masonry Installation:* Using the pre-drilled aluminum as a template, mark and drill the wall at all pre-drilled holes to accept plastic Alligator® insert or 3/16" Tapcon® or similar fastener. Drill in accordance with instructions provided with hardware.
- Suggested hardware :**
- Drywall with metal backing : #8 or #10 Drill point drywall screw or #8 or #10 drill point pan head or hex washer head sheet metal screw.
  - Drywall without stud or backing : Plastic Alligator® insert, or self-drilling drywall anchor, with #8 or #10 pan head or hex washer head sheet metal screw, or 3/16" Toggler® brand toggle bolts with pan head machine screw.
  - Masonry : Plastic Alligator® insert with #8 or #10 pan head or hex washer head sheet metal screw or 3/16" hex washer head Tapcon®.
- Step 6:** Secure accessory components in place using hardware selected in **step 5**.
- Caution:* Use of a flat washer at accessory mounting tabs is recommended to prevent damage to molded part caused by excessive tightening of the fastener.
- Step 7:** Measure between accessories and cut the snap-on cover accordingly. Miter cut the cover for all angles not accommodated by the molded accessories.
- Important:** All cuts must be square and deburred.
- Step 8:** Snap cover in place over aluminum retainer.



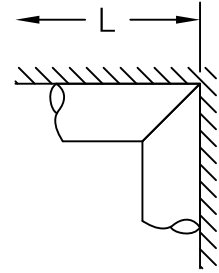
## Cutting Adjustment Diagrams and Schedule



End Cap



Outside Corner



Inside Corner

	Aluminum Retainer	Snap-On Cover
End Cap	L - 3/4"	L - 3/4"
Outside Corner	L - 0"	L - 0"
Inside Corner	L - 0" (field miter)	L - 0" (field miter)

Important: install aluminum retainer and molded accessories before cutting the snap-on cover.

## Minimum Layout Configurations

