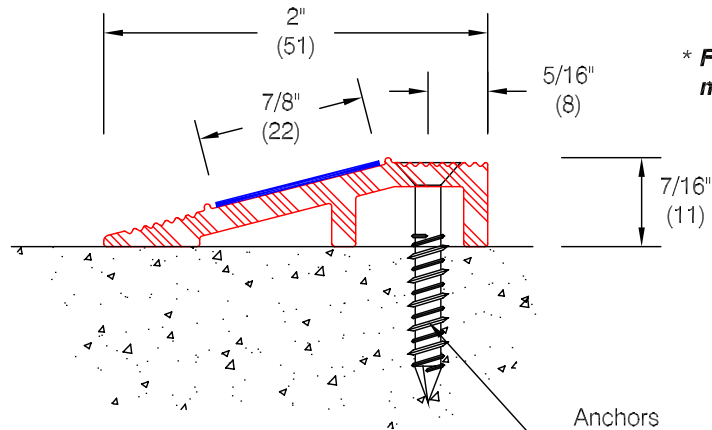


BSF-225 Aluminum Surface Frame



Features:

- Use for Rol-Dek® or other 3/8" (10) through 5/8" (16) thick mats
- Extruded aluminum alloy 6063-T5
- Stock length: 12'-0" (3658)
- Weight: 1.0 lbs / lf

Installation Options:

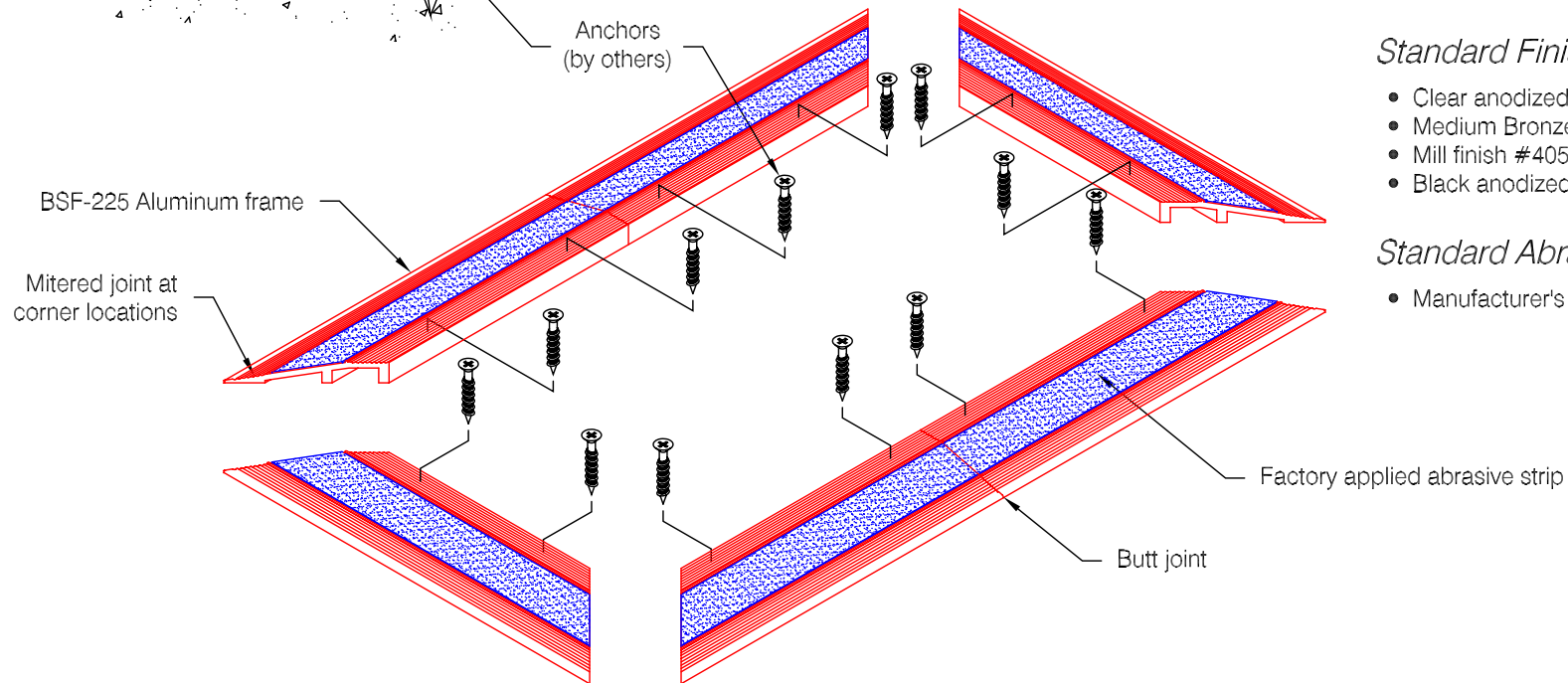
- Surface mounted, mechanically fastened
- Mounting hardware spaced at 24" (610) on center or as required

Standard Finishes:

- Clear anodized (201-R1) #403
- Medium Bronze anodized #404
- Mill finish #405
- Black anodized #462

Standard Abrasive Colors:

- Manufacturer's standard colors



Pawling Corporation reserves the right to discontinue a design or modify an existing design without prior notice

Customer :	Project :	ED.4.0b
Architect :	Sales Rep :	