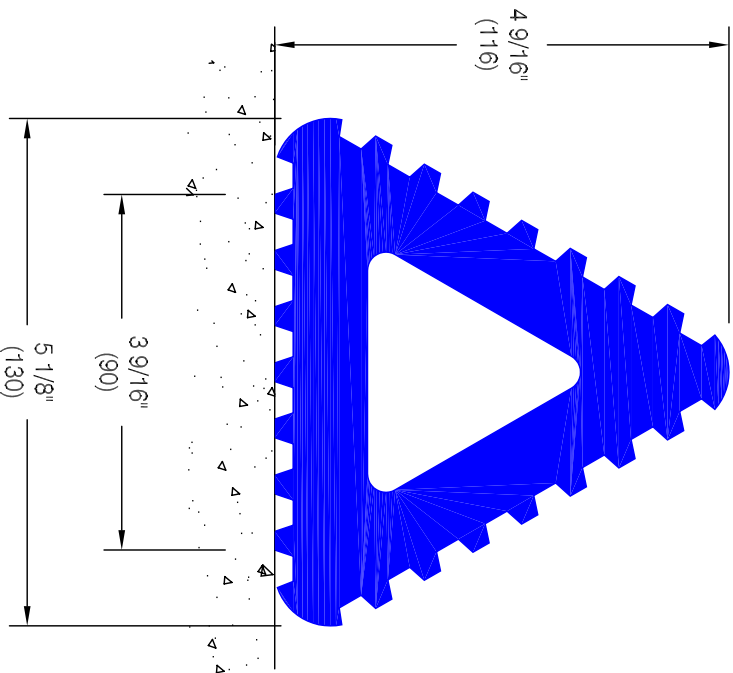


# SC-7 Extruded Rubber Wheel Chock



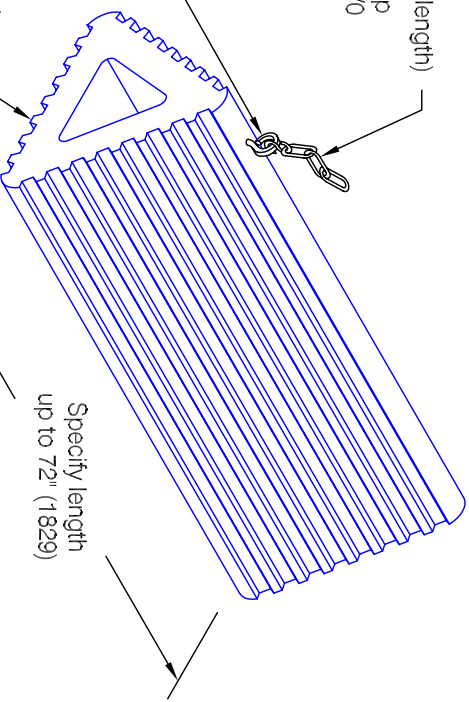
*Optional Chain:* (specify length)

- CH-1 weldless, double loop coil, zinc-coated steel, #3/0
- CH-2 welded, zinc-plated steel, 3/16" (5) dia.

*Optional eyebolt:* ABEB-17-0-441  
5/16" (8)-18 x 2" (51)  
5/8" (16) I.D.

**\* Anchoring hardware supplied by others**

SC-7 Extruded Rubber  
Wheel Chock



**Features:**

- Extruded EPDM rubber
- Durometer: (ASTM D-412) 70 +/-5 Shore A
- Standard length: 12" (305)
- Custom cutting to 72" (1829)
- Highly resistant to abrasion, impacts, corrosion and weather
- Weight: #1 Black: 7.5 lbs /ft  
#70 Safety Yellow: 9 lbs /ft

**Applications:**

- Suitable for aircraft, large pipe and recreational vehicles

**Standard Colors:**

- Black #1
- Safety Yellow #70

Pawling Corporation reserves the right to discontinue a design or modify an existing design without prior notice

Customer :

Architect :

Project :

Sales Rep :

PD.17.0a