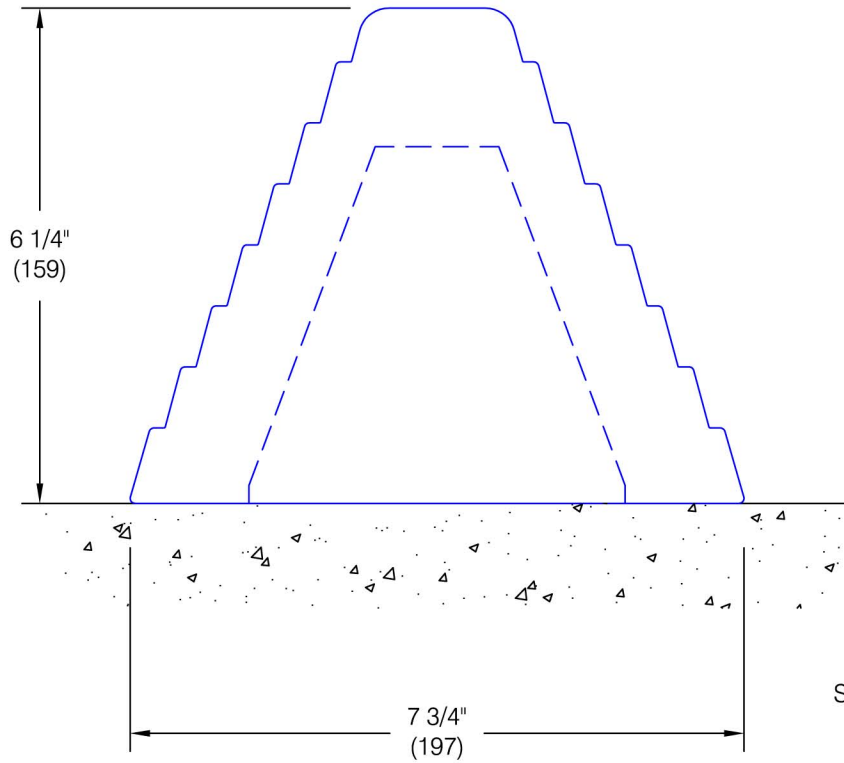


SC-13 Molded Rubber Wheel Chock



Features:

- Molded from nylon-reinforced rubber compound
- Economical and long wearing
- Will not harm soft macadam and blacktop driveways
- "U"-bolt for ease of carrying
- Weight: 9 lbs

Applications:

- For use with heavy truck/trailers and road equipment

Standard color:

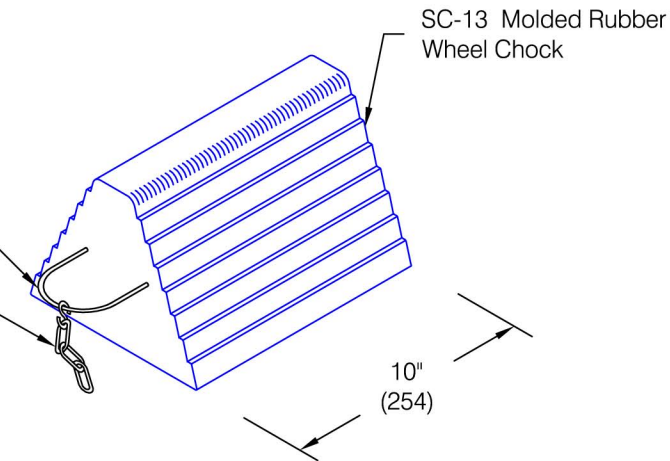
- Color: Black #1

Standard "U"-bolt: ABUB-16-0-441
 5/16" (8)-18 x 3" (76) wide

Optional Chain: (specify length)

- CH-1 weldless, double loop coil, zinc-coated steel, #3/0
- CH-2 welded, zinc-plated steel, 3/16" (5) dia.

*** Anchoring hardware supplied by others**



Pawling Corporation reserves the right to discontinue a design or modify an existing design without prior notice

Customer :	Project :	PD.22.0a
Architect :	Sales Rep :	