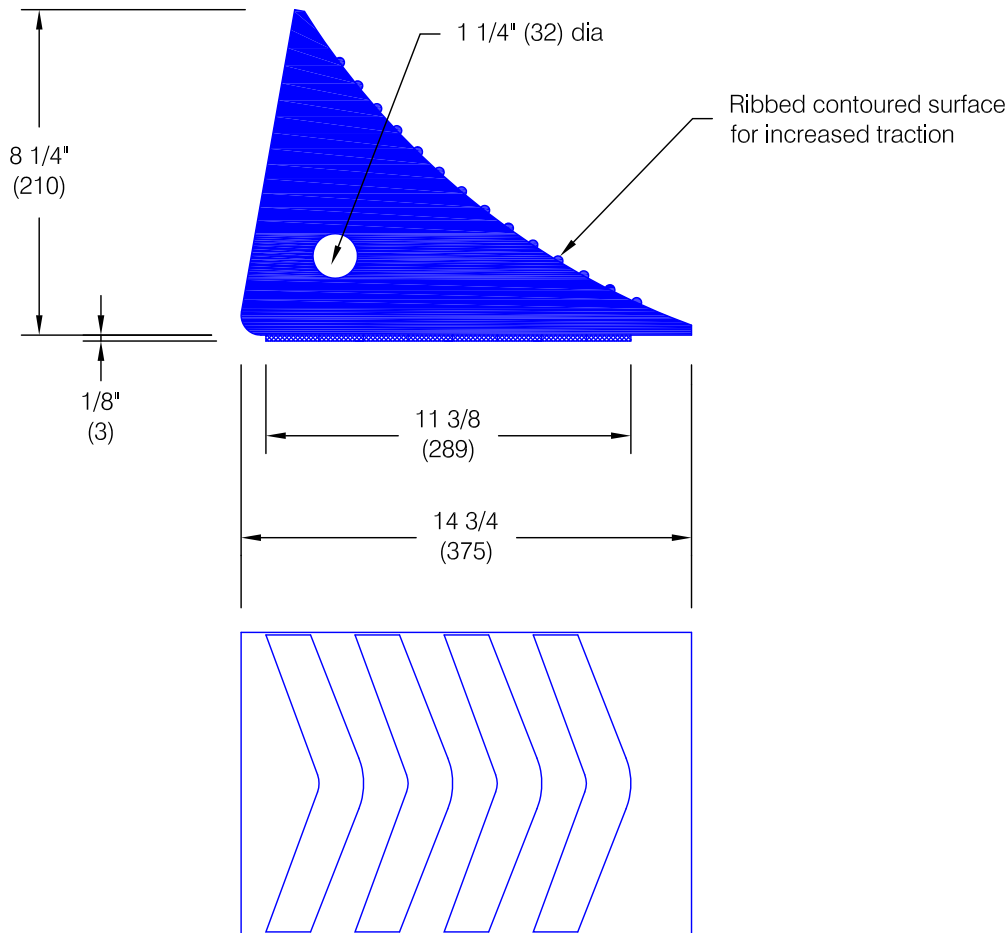


SC-12 Molded Polyurethane Wheel Chock



Features:

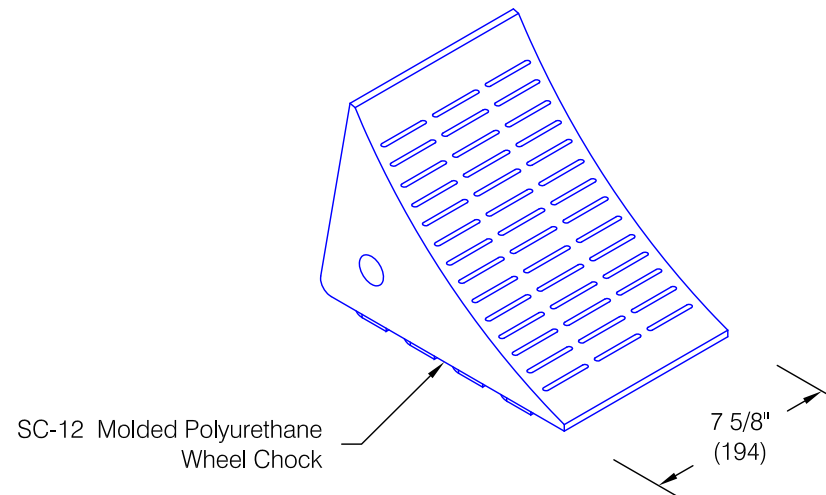
- High visibility and long wear
- Unaffected by oils and chemicals
- Water and abrasion resistant
- Up to 50% deflection @ 68 psi
- Opening for ropes, chains
- Grips both tire and pavement
- Weight: 4 lbs

Applications:

- Recommended for use with utility vehicles, pick-up trucks and recreation vehicles

Standard color:

- Safety Orange #117



Pawling Corporation reserves the right to discontinue a design or modify an existing design without prior notice

Customer :

Project :

Architect :

Sales Rep :

PD.21.0b