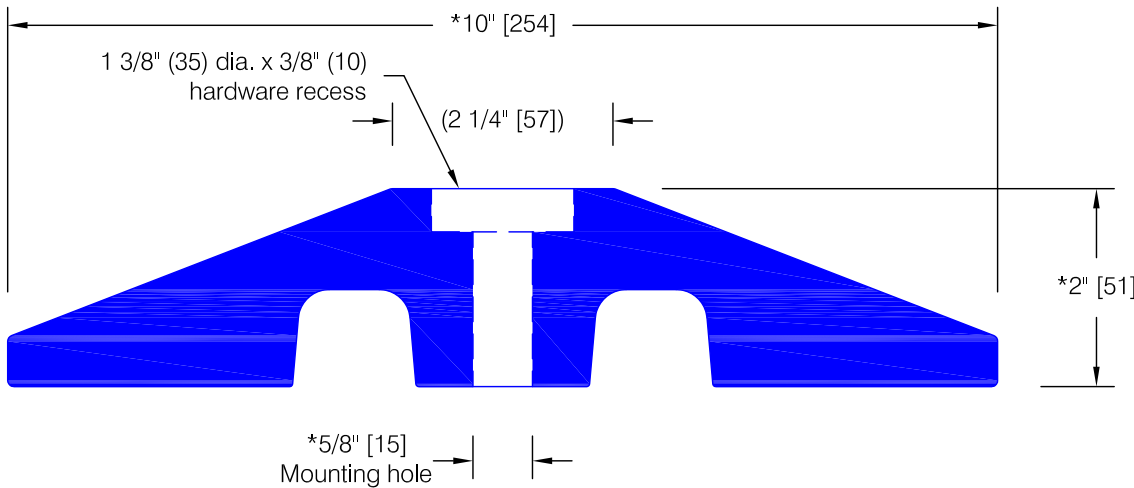
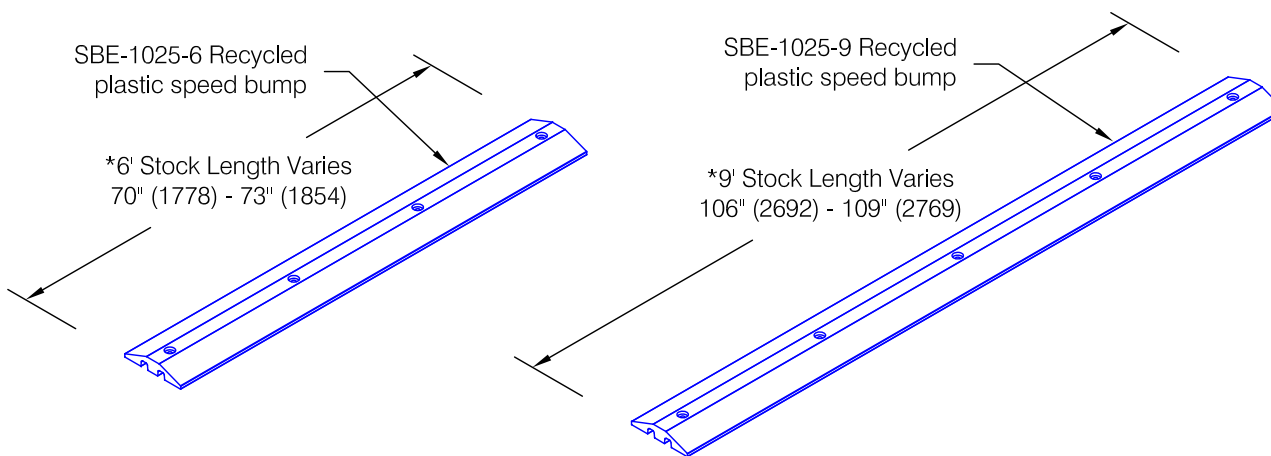


# SBE-1025 Speed Bump



\* SBE-1025 is manufactured from recycled plastic. This product is subject to significant dimensional variation. End-to-end alignment is not guaranteed and should not be expected.



## Features:

- Manufactured from 100% post-consumer, post-industrial recycled plastic, to commercial tolerances
- Weight: 5 lbs / lf
- Stock length: Nominal 6' (1829) and 9' (2743), Length varies significantly, see notes on drawing



## Standard Color:

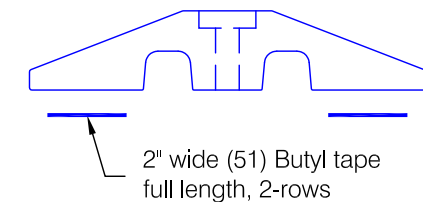
- Safety yellow #70

## Installation Options:

- Suggested hardware
  - Concrete:
    - 1/2" (13) x 5" (127) Lag bolt & exp'n shield
  - Asphalt:
    - 12" (305) Ground spike
- Butyl tape provided for both installations

## To include hardware with the speed bump specify:

- |  |  |
|--|--|
|  <p><b>SBEC-1025</b></p> <ul style="list-style-type: none"> <li>• Concrete hardware: 1/2" (13) x 5 3/4" (146) Lag bolt, flat washer, and expansion shield</li> <li>• 2" wide (51) Butyl tape full length, 2-rows</li> </ul> |  <p><b>SBEA-1025</b></p> <ul style="list-style-type: none"> <li>• Asphalt hardware: 12" (305) Spike</li> <li>• 2" wide (51) Butyl tape full length, 2-rows</li> </ul> |
|--|--|



Pawling Corporation reserves the right to discontinue a design or modify an existing design without prior notice

Customer :	Project :	PD.3.0d
Architect :	Sales Rep :	