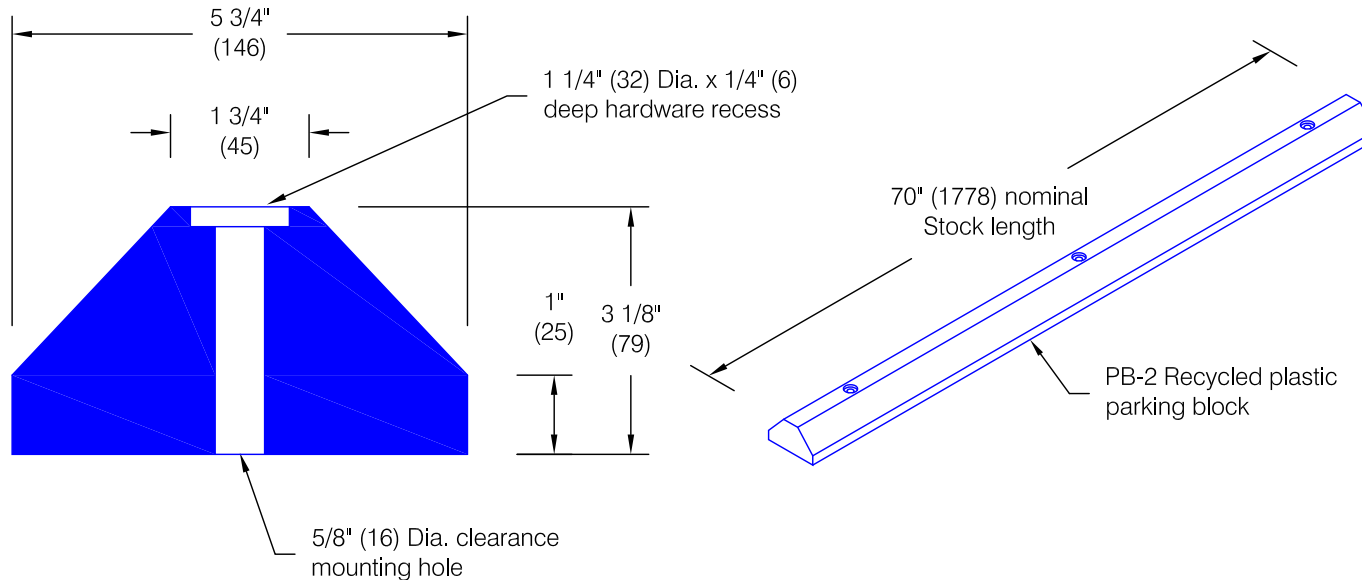


PB-2 Compact Parking Block



Features:

- Manufactured from 100% post-consumer, post-industrial recycled plastic
- Dimensions and weights are nominal
- Weight: 25 lbs. each
- Stock length: 70" (1778)

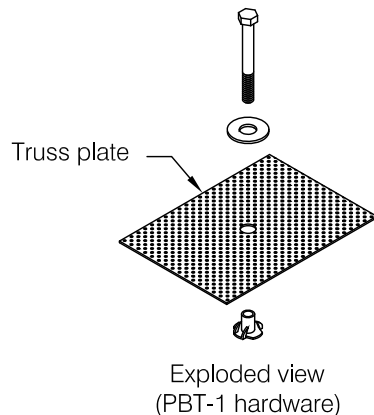
Installation Options:

- Suggested hardware
 - Concrete: Lag bolt and expansion shield
 - Asphalt: Ground spike
 - Concrete With Adhesive: Truss plate with hex bolt and tee nut

Standard Colors:

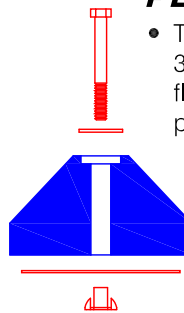
- Black #1
- Gray #5
- Handicap blue #8
- White #10
- Safety yellow #70

To include hardware with the parking block specify:



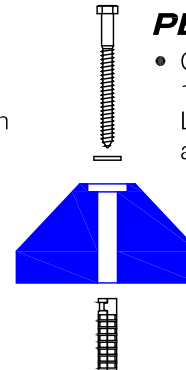
PBT-2

- Truss plate hardware: 3/8" x 3 1/2" hex bolt, flat washer, 5" x 7" mesh plate and T-nut



PBC-2

- Concrete hardware: 1/2" (13) x 8" (203) Lag bolt, flat washer, and expansion shield



PBA-2

- Asphalt hardware: 12" (305) Spike

