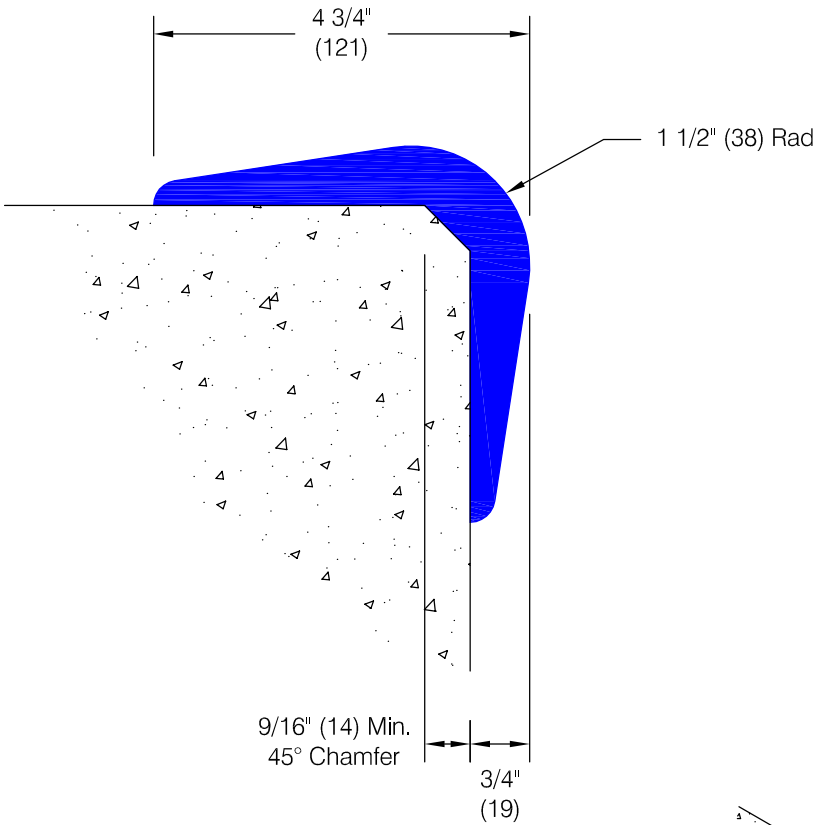


# CG-5 Heavy Duty Corner Guard



*Features:*

- Extruded natural rubber, 60 durometer
- RMA tolerances
- Weight: 2.7 lbs. / lf.
- Stock lengths: 4'-0" (1219), 8'-0" (2438)

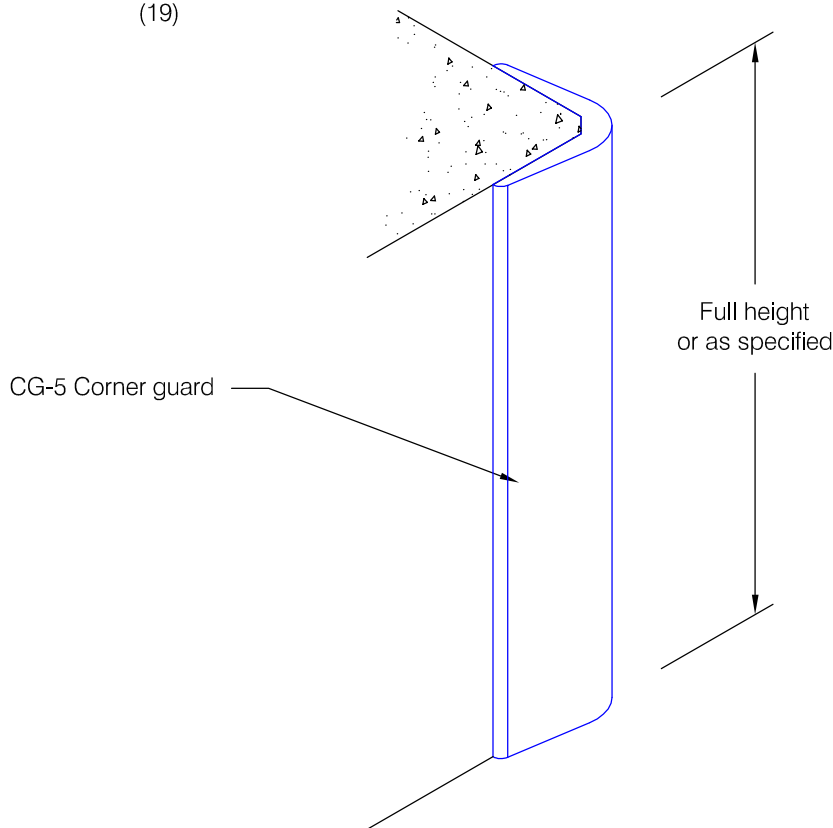
*Mounting Options:*

- Suggested mounting Adhesive:  
Construction mastic ADH-4323
- Mechanical hardware: 3 per 48" (1219) side  
Concrete: 3/8" (10) x 2 1/2" (64) bolt & expansion shield  
Wood: lag-screws

*Standard Color:*

- Gray #5

**\* Standard corner guard is supplied undrilled and with no mounting adhesive or hardware.**



*Pawling Corporation reserves the right to discontinue a design or modify an existing design without prior notice*

Customer :	Project :	CD.102.0b
Architect :	Sales Rep :	