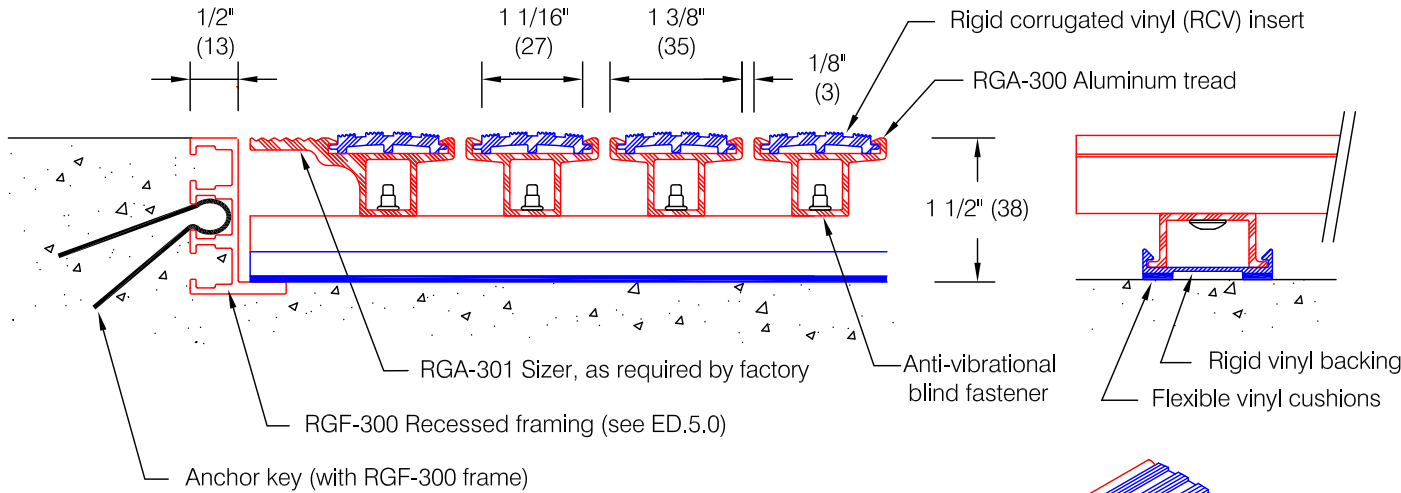


RG-300 Drain-Well[®] Rigid Corrugated Vinyl Insert



Features:

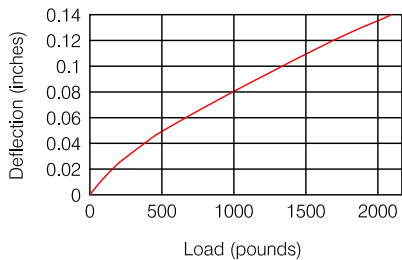
- Extruded aluminum treads and cross supports alloy 6105-T5
- Continuous dual-durometer vinyl cushion for superior noise reduction
- 1 1/2" (38) deep for increased drainage ability
- Tubular tread rails for increased strength
- Anti-vibrational fasteners for sturdy, long-life service
- Single section width to 144" (3568)
- Rigid corrugated vinyl insert (colorable)

Finishes:

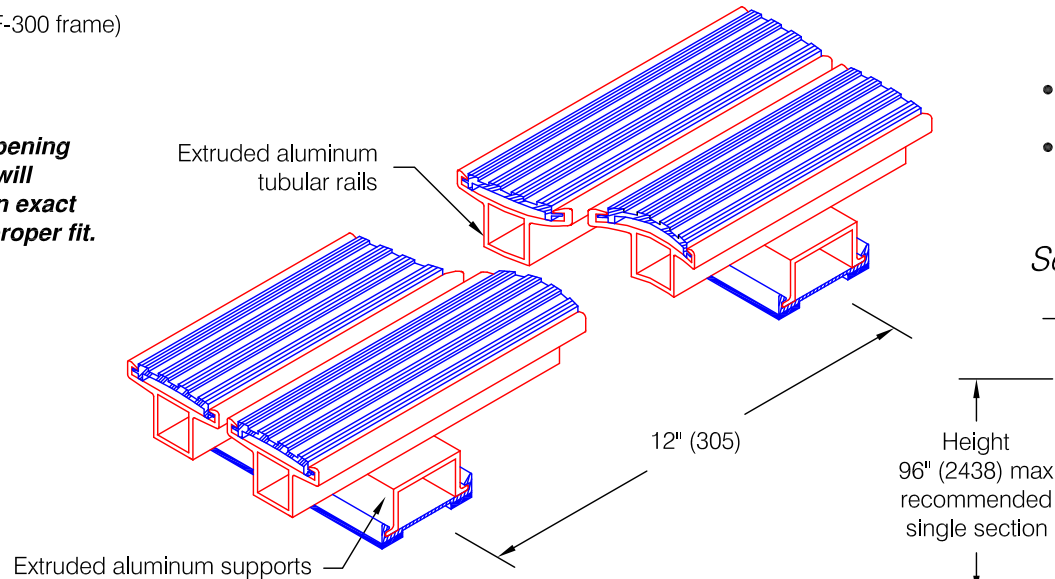
- Aluminum tread:
 - Mill finish (standard) #405
 - Medium bronze anodized #404
 - Clear anodized #403
 - Black anodized #462
- Aluminum cross supports:
 - Mill finish #405
- Rigid corrugated vinyl insert (colorable):
 - Select from manufacturer's color samples

Note On Dimensions:

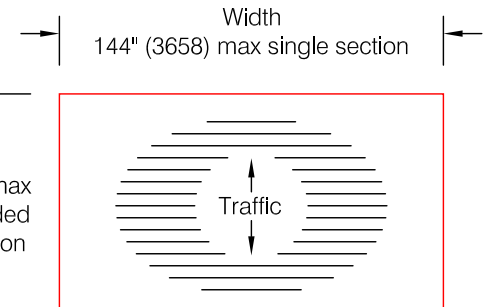
* Pawling requires that exact mat opening dimensions be provided. Factory will fabricate mats 1/4" (6) smaller than exact opening dimensions to allow for proper fit.



RG-300 Distributed Load Chart



Sectioning information:



* Mats over 48 square feet may require sectioning as determined by the factory

Pawling Corporation reserves the right to discontinue a design or modify an existing design without prior notice

Customer :	Project :	ED.27.1b
Architect :	Sales Rep :	