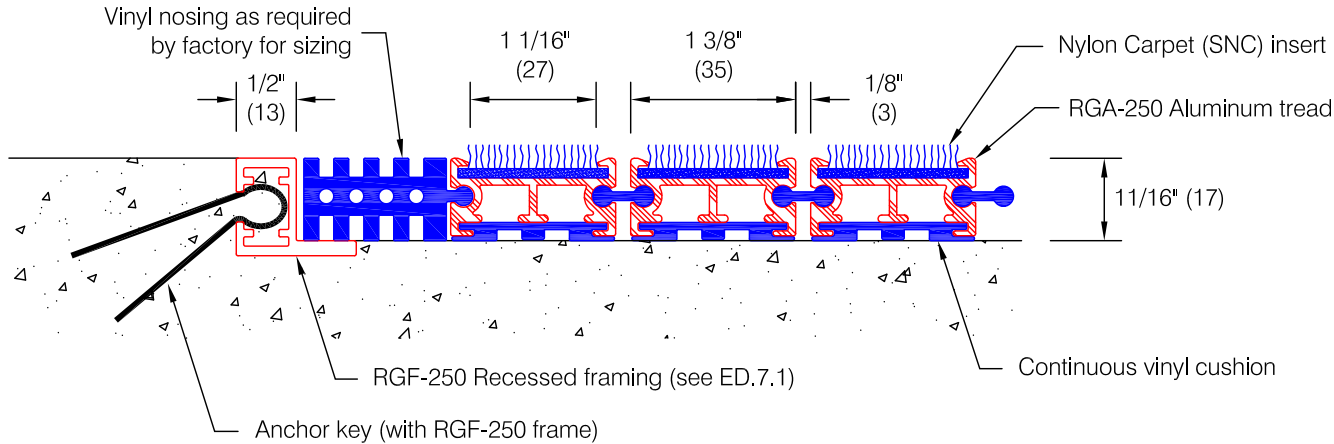


# RG-250 Drain-Well<sup>®</sup> Nylon Carpet Insert



## Features:

- Extruded aluminum treads alloy 6105-T5
- Continuous vinyl cushion for superior noise reduction
- 11/16" (17) deep for increased drainage ability
- Roll-Up for easy cleaning of recess
- Perforated hinge for added drainage
- Single section width to 144" (3568)
- 100% solution dyed nylon fiber with 1/4" (6) finish pile height, 33.8 oz/sq yd in rigid backing
- Static Coefficient of Friction (ASTM D-2047-82)  
 Dry: 0.48, Wet: 0.67

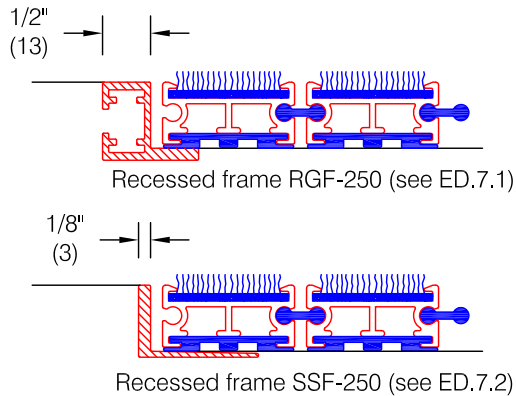
## Finishes:

- Aluminum tread:
  - Mill finish (standard) #405
  - Medium bronze anodized #404
  - Clear anodized #403
  - Black anodized #462
- Rigid-Back Nylon carpet insert:
  - Select from manufacturer's color samples

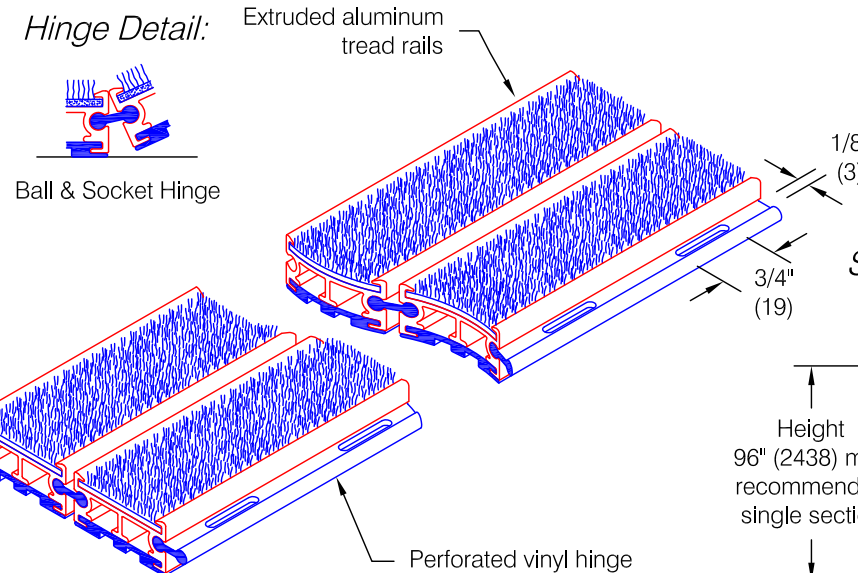
## Optional Framing:

### Note On Dimensions:

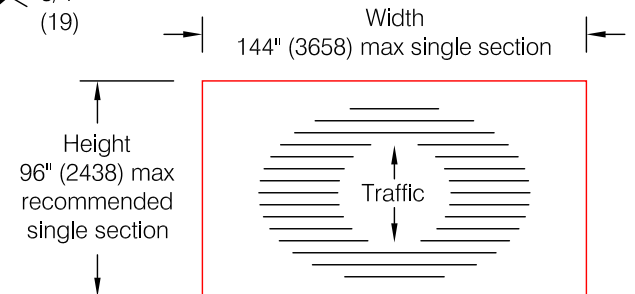
\* Pawling requires that exact mat opening dimensions be provided. Factory will fabricate mats 1/4" (6) smaller than exact opening dimensions to allow for proper fit.



## Hinge Detail:



## Sectioning information:



\* Mats over 48 square feet may require sectioning as determined by the factory

Pawling Corporation reserves the right to discontinue a design or modify an existing design without prior notice

Customer :	Project :	ED.35.1b
Architect :	Sales Rep :	