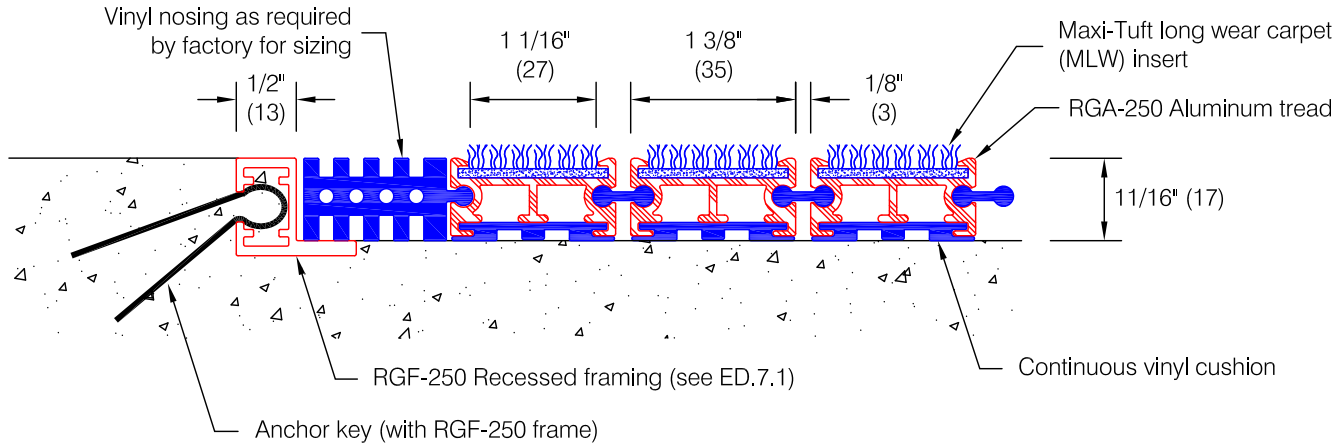


RG-250 Drain-Well[®] Maxi-Tuft Carpet Insert



Features:

- Extruded aluminum treads alloy 6105-T5
- Continuous vinyl cushion for superior noise reduction
- 11/16" (17) deep for increased drainage ability
- Roll-Up for easy cleaning of recess
- Perforated hinge for added drainage
- Single section width to 144" (3658)
- Space dyed, 100% polyamide nylon, tetra-lobal fibers, 5/32 (4) pile height, 30 oz/sq yd
- Static Coefficient of Friction (ASTM D-2047-82)
 Dry: 0.49, Wet: 0.77

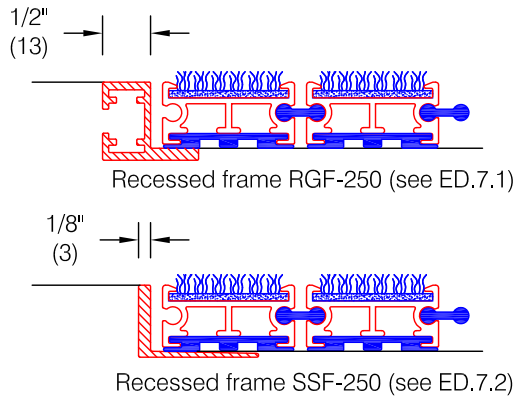
Finishes:

- Aluminum tread:
 - Mill finish (standard) #405
 - Medium bronze anodized #404
 - Clear anodized #403
 - Black anodized #462
- Maxi-Tuft long wear carpet insert:
 Select from manufacturer's color samples

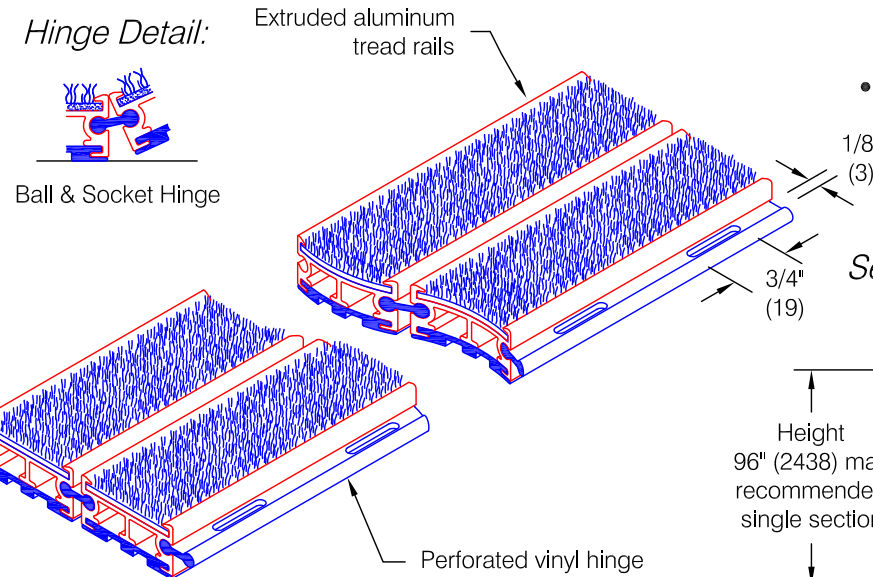
Optional Framing:

Note On Dimensions:

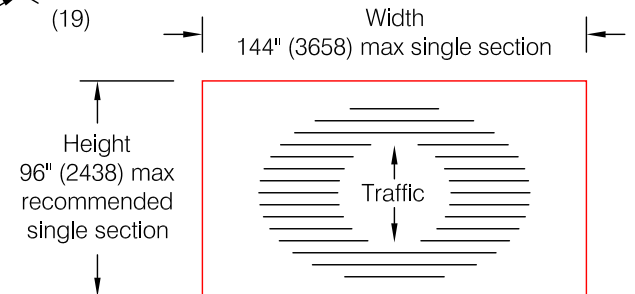
* Pawling requires that exact mat opening dimensions be provided. Factory will fabricate mats 1/4" (6) smaller than exact opening dimensions to allow for proper fit.



Hinge Detail:



Sectioning information:



* Mats over 48 square feet may require sectioning as determined by the factory

Pawling Corporation reserves the right to discontinue a design or modify an existing design without prior notice

Customer :	Project :	ED.35.5b
Architect :	Sales Rep :	