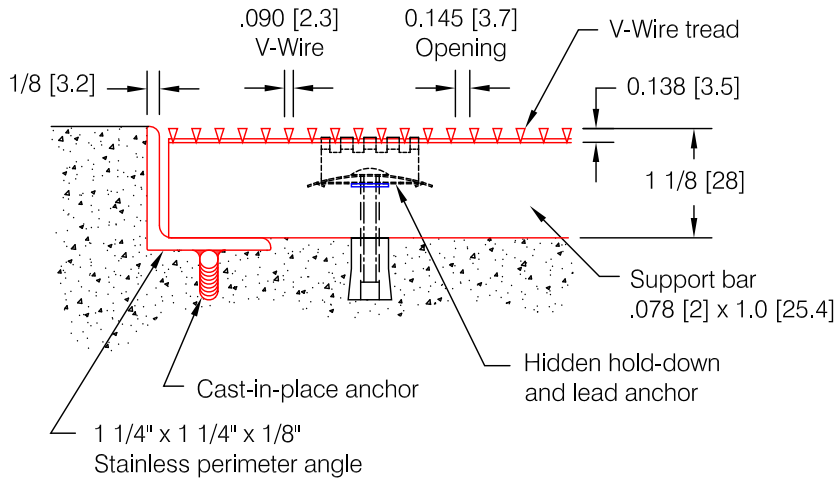
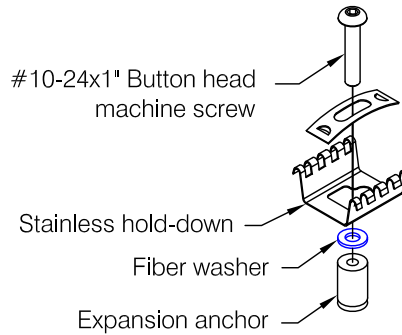


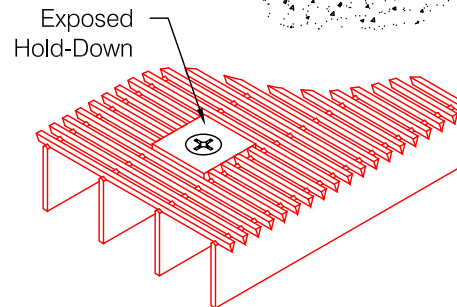
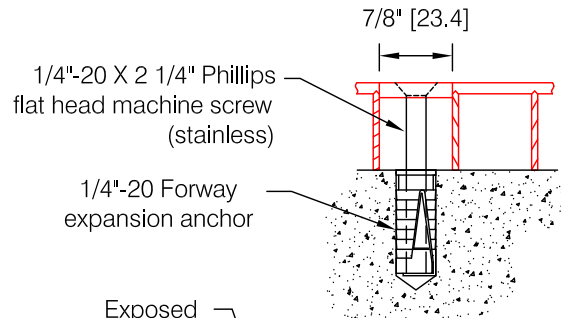
RG-720 Stainless Steel Grating



Hidden Hold-Down (Standard)



Exposed Hold-Down (Optional)



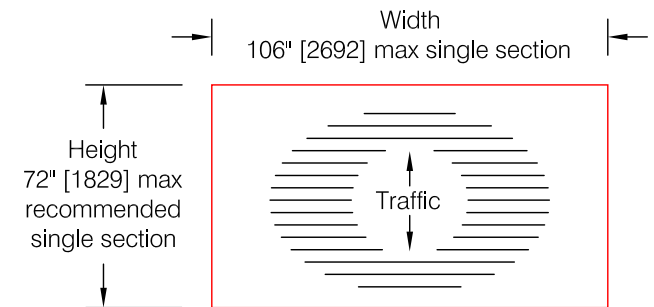
Features:

- 62% open area provides excellent air flow
- Custom shapes available
- Material:
 - Standard: 304 Stainless steel
 - Optional: 316L Stainless steel
- Weight: 5.7 lbs/sqft
- Available with stainless angle frame or extruded 6063-T5 aluminum frame
- Hold-downs
 - Standard: Hidden, supplied loose
 - Optional: Exposed, factory welded
- Available in 7/16" depth, RG-700 (ED.60.0) and 5/8" depth, RG-710 (ED.61.0)

Construction:

- Stainless steel wire resistance welded to support bars
- Manufacturing process prevents alignment of wires and support fins between adjacent sections

Sectioning information:

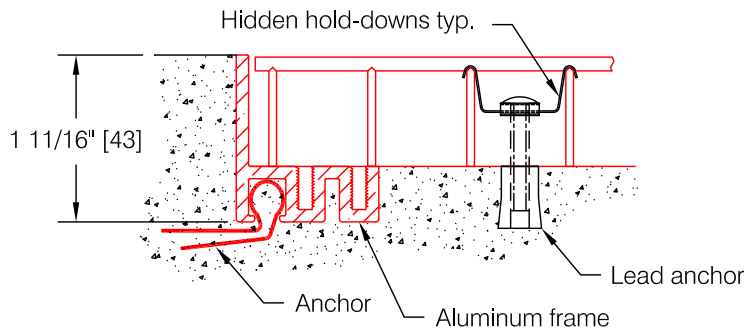


* Gratings over 28 square feet may require sectioning as determined by the factory

Note On Dimensions:

* Pawling requires that exact grate opening dimensions be provided. Factory will fabricate grates 3/16" (4.8) smaller than exact opening dimensions to allow for proper fit.

Optional Framing: (Grating with RGFA-720 Aluminum Frame)



Pawling Corporation reserves the right to discontinue a design or modify an existing design without prior notice

Customer :

Architect :

Project :

Sales Rep :

ED.62.0c