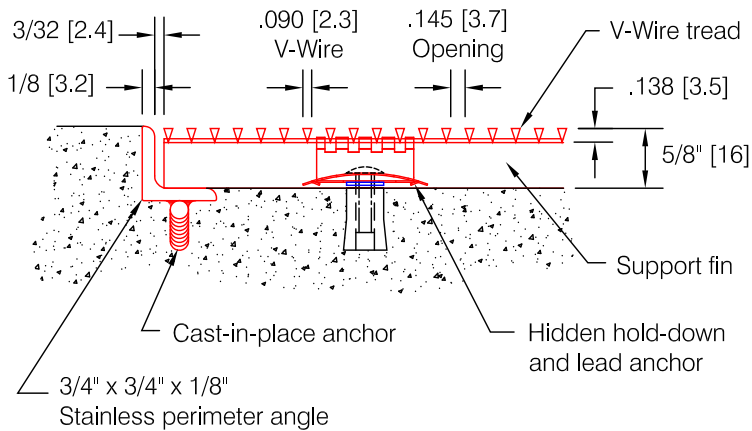
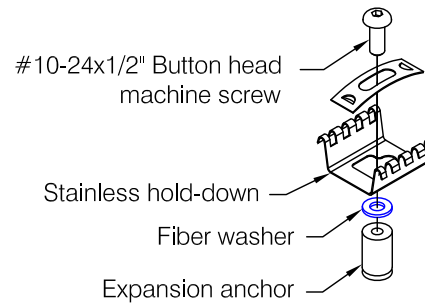


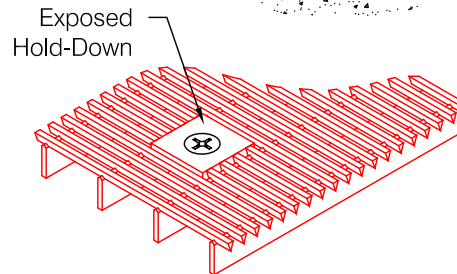
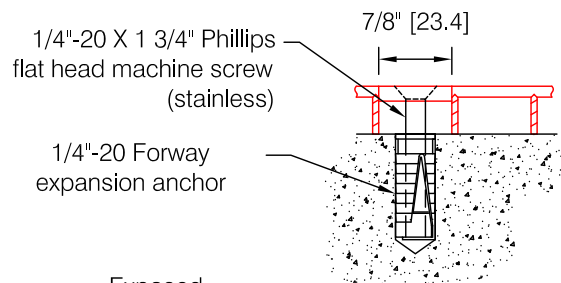
## RG-710 Stainless Steel Grating



### Hidden Hold-Down (Standard)



### Exposed Hold-Down (Optional)



### Features:

- 62% open area provides excellent air flow
- Custom designs available
- Material:
  - Standard: 304 Stainless steel
  - Optional: 316L Stainless steel
- Weight: 4.7 lbs/sqft
- Available with stainless angle frame or extruded 6063-T5 aluminum frame
- Hold-downs:
  - Standard: Hidden, supplied loose
  - Optional: Exposed, factory welded
- Available in 7/16" depth RG-700, ED.60.0 and 1 1/8" depth RG-720, ED.62.0

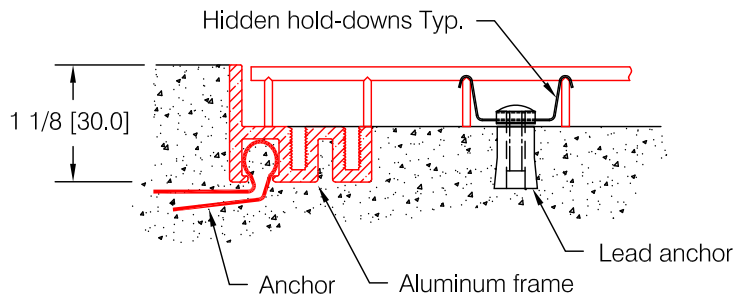
### Construction:

- Stainless steel V-wire, resistance welded to stainless support fins
- Manufacturing process prevents alignment of wires and support fins between adjacent sections

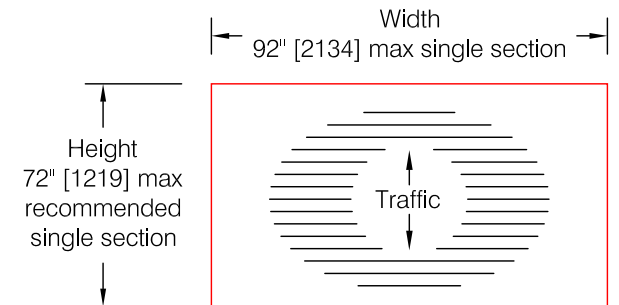
### Note On Dimensions:

\* Pawling requires that exact mat opening dimensions be provided. Factory will fabricate mats 3/16" (4.8) smaller than exact opening dimensions to allow for proper fit.

### Optional Framing: (Grating with RGFA-710 Aluminum Frame)



### Sectioning information:



\* Mats over 28 square feet may require sectioning as determined by the factory

Pawling Corporation reserves the right to discontinue a design or modify an existing design without prior notice

Customer :	Project :	ED.61.0d
Architect :	Sales Rep :	