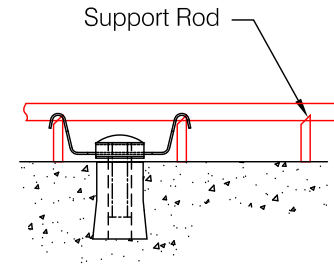
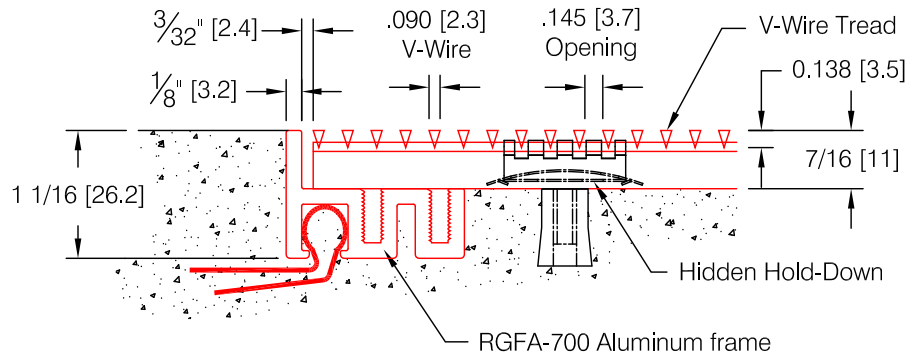
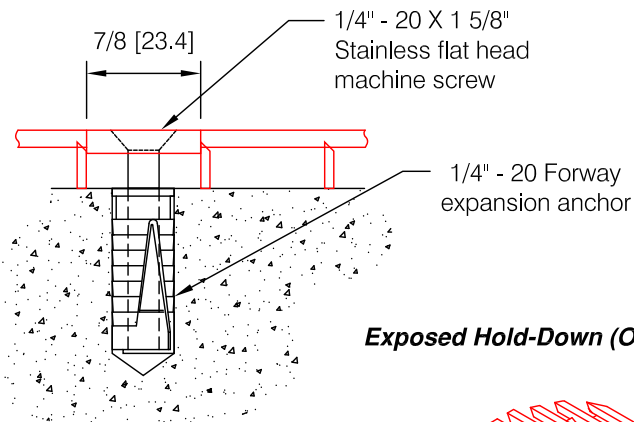


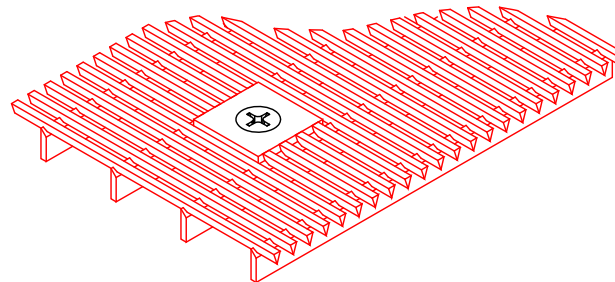
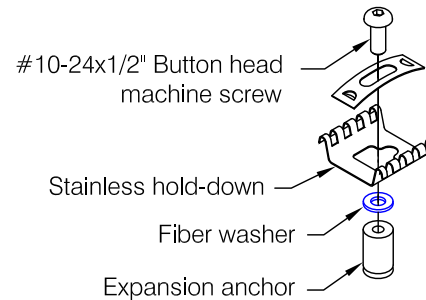
## RG-700 Stainless Steel Grating



**Hidden Hold-Down (Standard)**



**Exposed Hold-Down (Optional)**



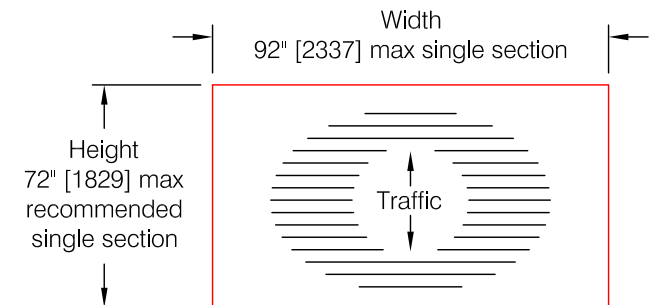
### Features:

- 62% open area provides excellent air flow
- Custom designs available
- Material:
  - Standard: 304 Stainless steel
  - Optional: 316L Stainless steel
- Weight: 3.7 lbs/sqft
- Available with extruded aluminum frame only, alloy 6063-T5, mill finish
- Hold-downs:
  - Standard: Hidden, supplied loose
  - Optional: Exposed, factory welded
- Available in 5/8" depth, RG-710, ED.61.0 and 1 1/8" depth, RG-720, ED.62.0

### Construction:

- Stainless steel V-wire, resistance welded to support rods
- Manufacturing process prevents alignment of wires and support rods between adjacent sections

### Sectioning information:



\* Mats over 28 square feet may require sectioning as determined by the factory

### Note On Dimensions:

\* Pawling requires that exact grate opening dimensions be provided. Factory will fabricate grates 3/16" (4.8) smaller than exact opening dimensions to allow for proper fit.

Pawling Corporation reserves the right to discontinue a design or modify an existing design without prior notice

Customer :

Project :

Architect :

Sales Rep :

ED.60.0e