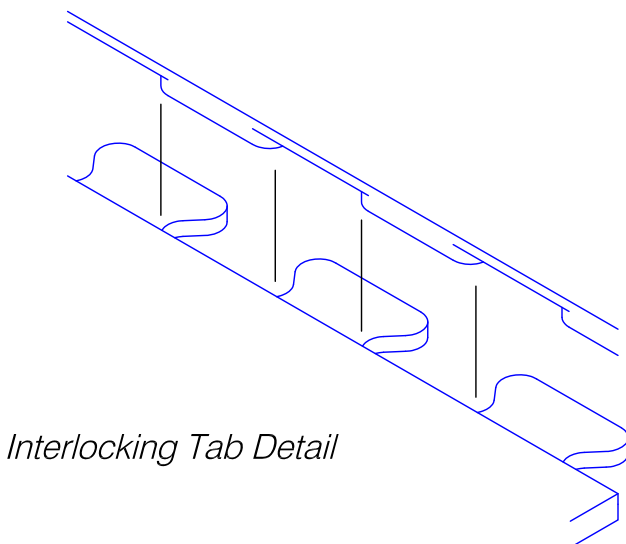
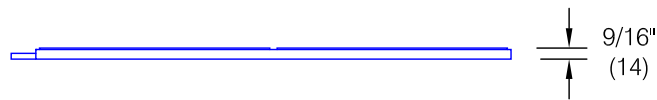
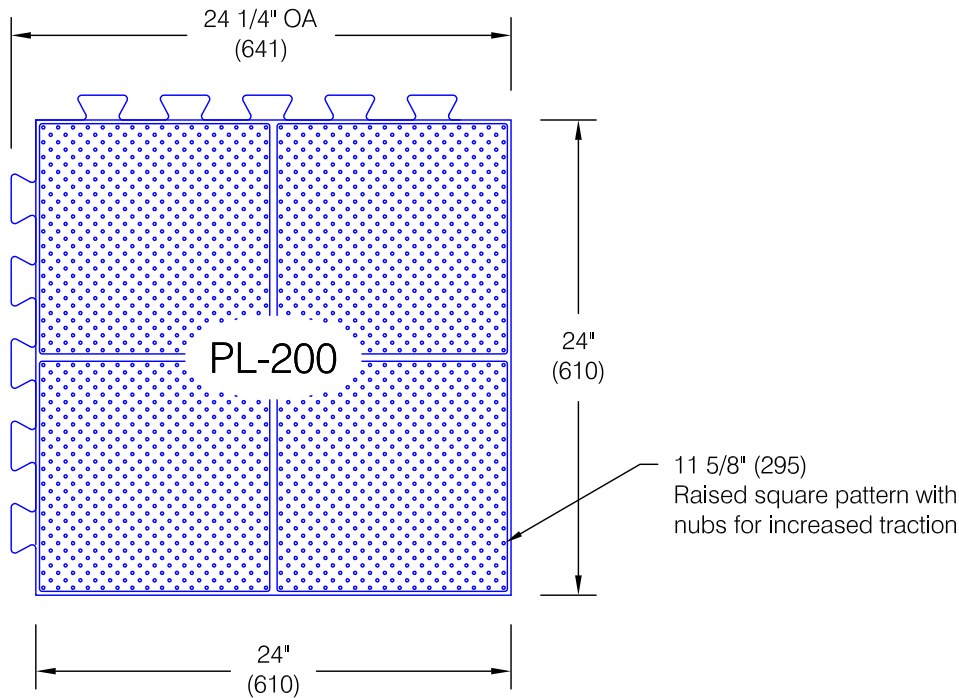


# PL-200 Aerobic Tile - Traction Top

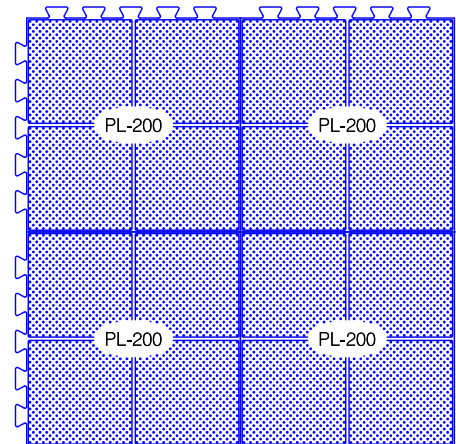


*Features:*

- Hidden interlocking tabs
- No adhesives required
- Solid color throughout
- Manufactured from premium virgin SBR rubber compound
- Class 1 flammability (ASTM E648)

*Finishes:*

- Manufacturer's standard colors



*Application Diagram*

Pawling Corporation reserves the right to discontinue a design or modify an existing design without prior notice

Customer :	Project :	RD.7.0c
Architect :	Sales Rep :	