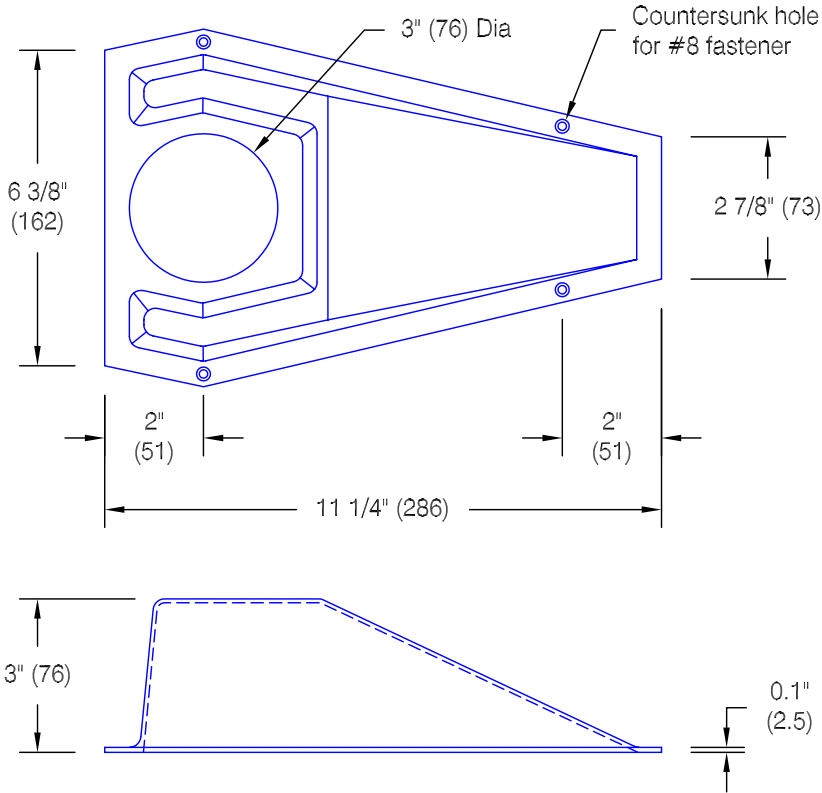


DKP-10 Door Knob Protector



Features:

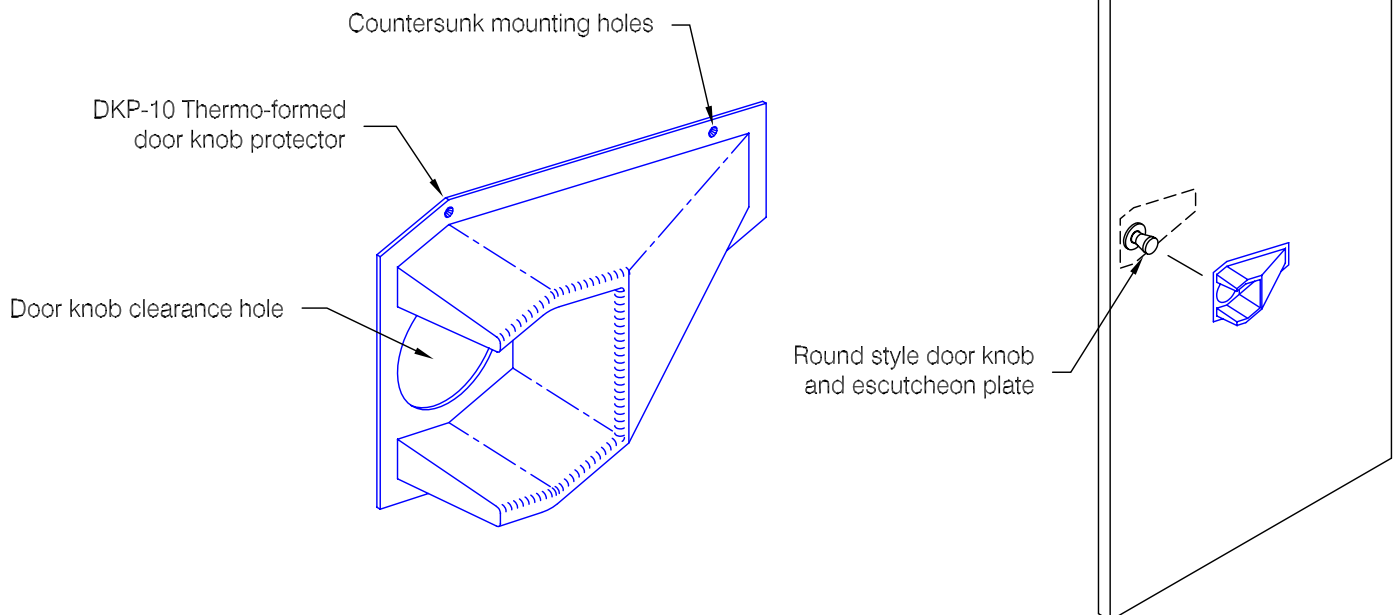
- Class A fire rating
- Vacuum formed from heavy gauge rigid vinyl sheet
- NFPA-252 (UL10b) approved for use on 90 minute wood and 180 minute steel fire rated door assemblies

Standard Colors:

- Manufacturer's standard colors
- Custom colors available

Mounting:

- Drilled
 Countersunk holes for ABSS-112 #8 x 3/4" (19) oval head sheet metal screw



Pawling Corporation reserves the right to discontinue a design or modify an existing design without prior notice

Customer :

Project :

Architect :

Sales Rep :

WD.140.0b