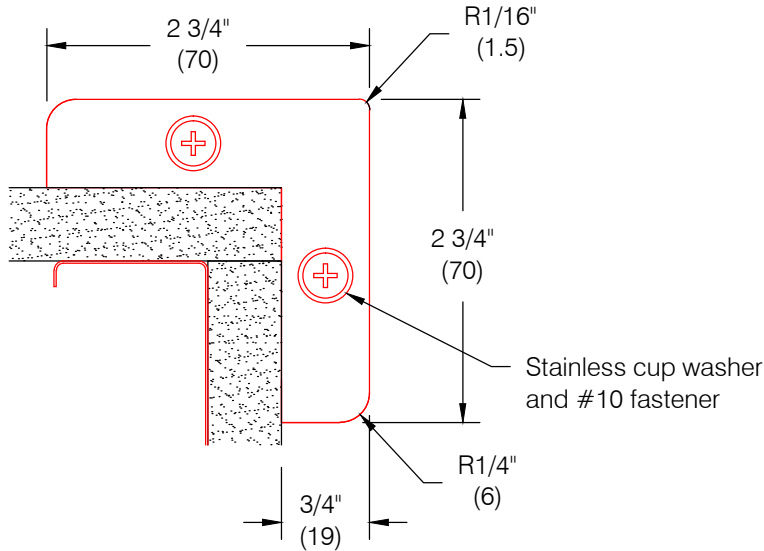


**CGWS-275 Wood/SS Corner Guard**



*Features:*

- Stock lengths: 4'-0" (1219), 8'-0" (2438),
- Custom cut lengths available
- Stainless Steel top and bottom caps

*Finishes:*

Wood

- Manufacturer's standard stain colors
- Oak, maple, or ash hardwoods
- Custom woods are available
- Custom stain colors available

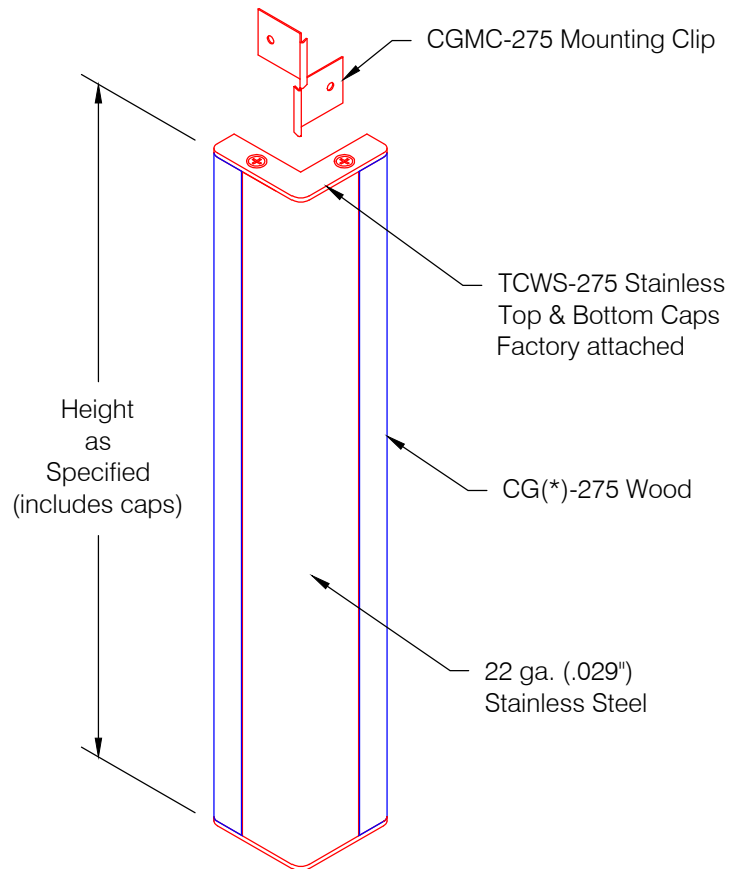
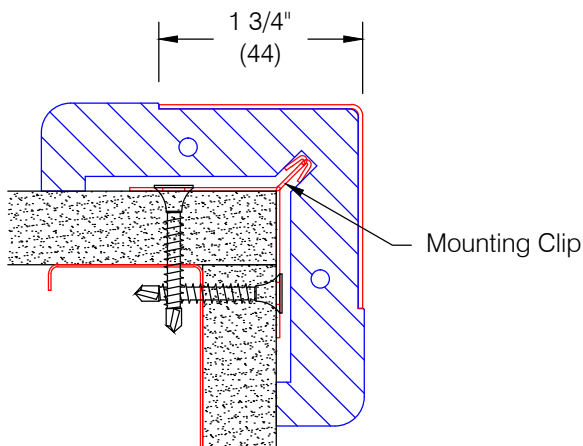
Stainless Steel

- Type 304
- #4 Polished Finish

**All hardwoods have their own "personality" or special characteristics. Variations in color, grain pattern, and texture are to be expected, they are natural aspects of these materials.**

(\*) Specify wood type

- A - Ash
- M - Maple
- O - Oak



Pawling Corporation reserves the right to discontinue a design or modify an existing design without prior notice

Customer :	Project :	WD.174.2b
Architect :	Sales Rep :	