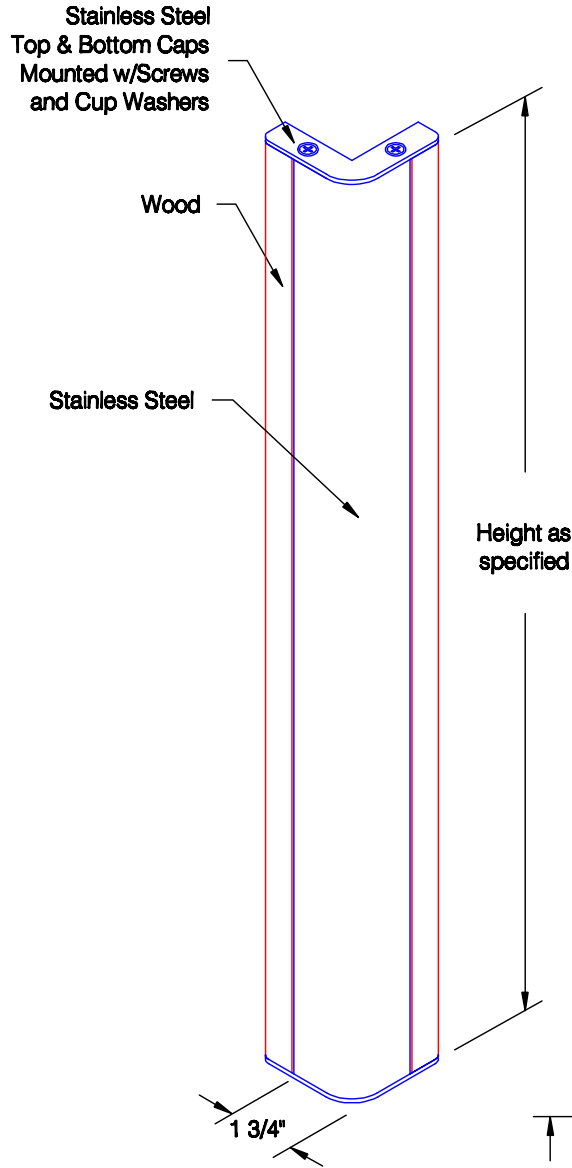


**CGWS-275B Wood/SS Corner Guard**



**Features:**

- Stock lengths: 4'-0" (1219), 8'-0" (2438),
- Custom cut lengths available
- Standard with Stainless Steel top and bottom closure caps

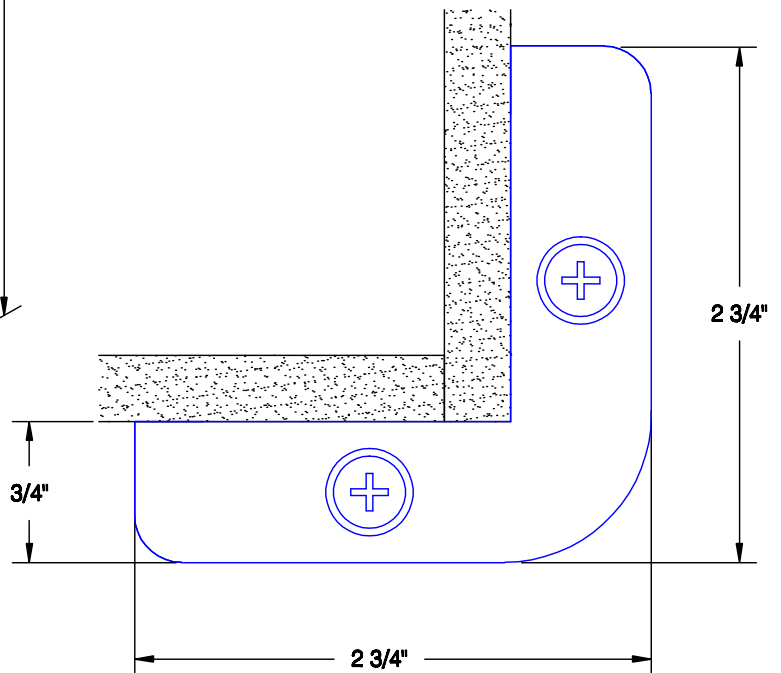
**Finishes:**

**Wood**

- Manufacturer's standard stain colors
- Oak, maple, or ash hardwoods
- Custom woods are available
- Custom stain colors available

**Stainless Steel**

- Type 304
- #4 Polished Finish



Pawling Corporation reserves the right to discontinue a design or modify an existing design without prior notice

<b>Customer :</b>	<b>Project :</b>	<b>WD.174.0a</b>
<b>Architect :</b>	<b>Sales Rep :</b>	