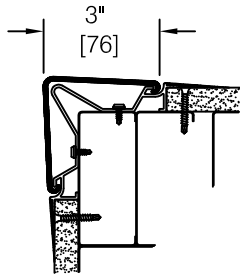
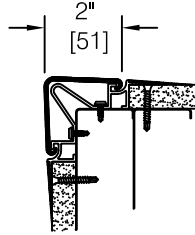


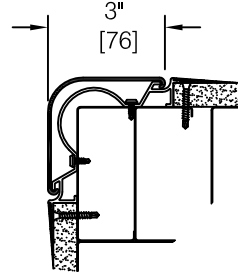
***CGT-7, CGT-72, CGT-32 & CGT-75***  
***Flush Mounted Corner Guards***



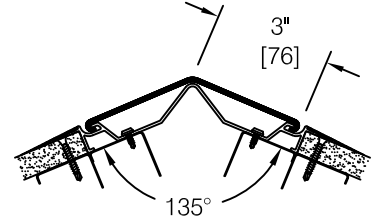
CGT-7



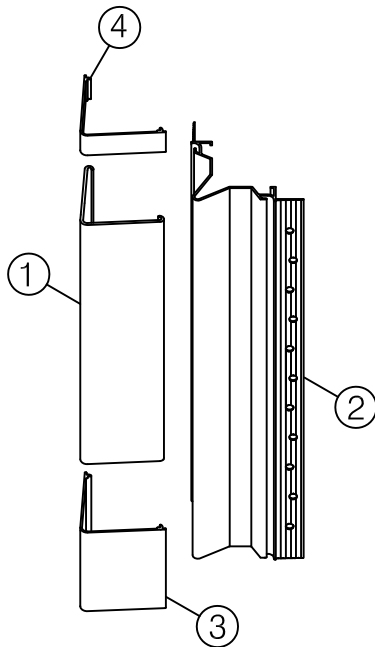
CGT-72



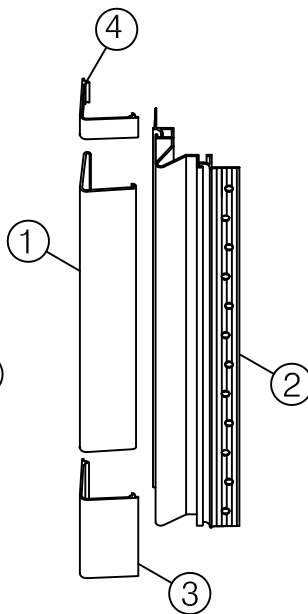
CGT-32



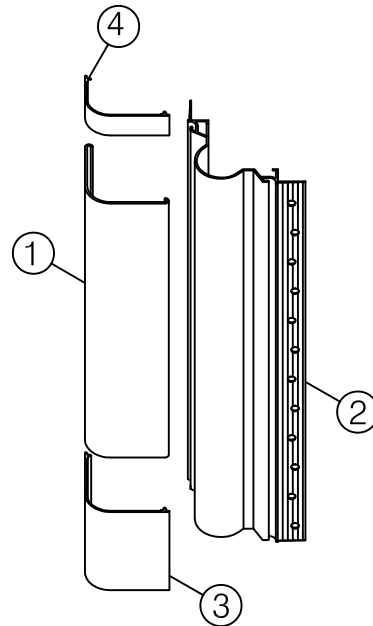
CGT-75



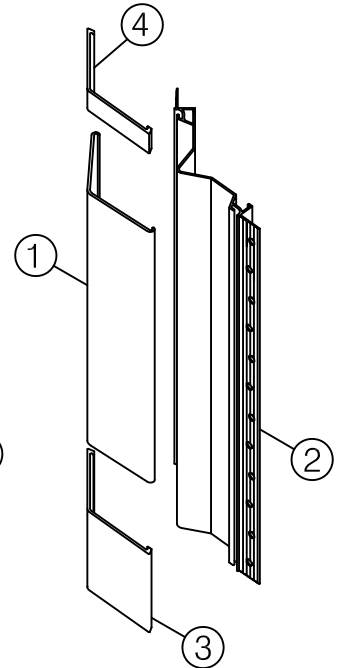
CGT-7



CGT-72



CGT-32



CGT-75

Component Part Numbers:

- 1) Snap-on cover  
CGV-10, CGV-20, WGV-30, CGV-135
- 2) Aluminum retainer  
CGTP-7, CGTP-72, CGTP-32, CGTP-75
- 3) Cove Base Insert 4" [102] and 6" [152]  
4": CBI-7-4, CBI-72-4, CBI-32-4, CBI-75-4,  
6": CBI-7-6, CBI-72-6, CBI-32-6, CBI-75-6
- 4) Transition cap  
TCA-7, TCA-72, TCA-32, TCA-75

## CGT-7, CGT-72, CGT-32, & CGT-75 Flush Mounted Corner Guard Handrail Installation Instructions

**Step 1:** This series of corner guards is available for full height (**fig 1**) and partial height (**fig 2**) installations. Either application is available with an optional cove base insert for use with customer supplied flexible cove base. Partial height installations require an aluminum transition cap which provides a surface for drywall tape at the finished height of the corner guard.

**Important:** Store material in a clean dry place where the temperature is maintained above 50°F (10°C). Walls and rooms should be maintained at a minimum of 65°F (18°C) for at least 48 hours prior to installation. Acclimate materials to normal building conditions for at least 24 hours before cutting and installing.

**Step 2:** Standard flush mount corner guards are designed for use with 5/8" (16) drywall which must terminate a specific distance (*Setback*) from the finished corner. See **Cutting Adjustment Diagrams and Schedule** for drywall setback dimensions. The outermost layer of 5/8" (16) drywall must be cut to the setback dimension from the finished floor to the full length of the aluminum retainer. Any drywall above the retainer, and any additional inner layer of drywall, should be finished to the corner. Using a sample section of retainer to ensure accuracy of the setback during drywall installation is recommended.  
*Note:* The aluminum retainer is factory cut to length. For partial height installation the aluminum retainer is 1" (25) longer than the specified *Finished Height* in order to accommodate the aluminum transition cap, see **fig 2**.

**Step 3:** Determine if cove base inserts or transition caps are required. CBI-75 inserts and TCA-75 transition caps for CGT-75 must be slid in place prior to installation of the aluminum retainer. All other cove base inserts and transition caps may be snapped in place after the retainer is installed.

**Step 4:** Mount aluminum retainer with mechanical fasteners as shown in **fig 1** and **fig 2**. The outermost edge of the aluminum retainer is perforated for use with bugle head drywall screws. Install screws at 18" (457) maximum centerline spacing. Use caution to avoid damage to the retainer from over tightening.  
*Note:* Sufficient metal studs or other backing must be in place to allow for proper fastening of the aluminum retainer.

**Important:** Where required, slide CBI-75 cove base inserts in place before mounting aluminum retainer to wall, see **step 3**. All other cove base inserts and transition caps may be snapped in place after mounting.

**Suggested mounting hardware:**

- Metal Studs : #6 x 1 5/8" (41) Bugle head drywall screw, fine thread
- Wood Studs : #6 x 1 5/8" (41) Bugle head drywall screw, coarse thread

*Note:* Fasteners listed are for installation with standard single or double layer 5/8" (16) drywall. Fasteners 1 1/4" in length are suitable for single layer applications. Additional fasteners closer to the corner may be used in conjunction with standard edge fastening to provide added stability to the installation (see **fig 1** and **fig 2** for location and spacing). These should be drill point bugle head or pan head style fasteners.

**Step 5:** Apply 2" (51) joint tape to cover perforated aluminum edge and to span joint between aluminum retainer and drywall, see **fig 1**. Apply joint tape to transition cap on partial height installations, see **fig 2**. Feather with joint compound using standard industry practices. The aluminum retainer provides a screed edge for joint compound, see **fig 3**.

**Step 6:** Finish walls in accordance with project specifications. Apply finish as required to portions of aluminum retainer that will show after the cover is in place, see **fig 4**. Retainer is factory primed for painting.

**Step 7:** The snap-on cover is factory cut to length for full height installations that do not require a cove base insert. For all other installations, determine cut length of cover by careful measurement of the exposed aluminum retainer and trim to length as required. Make certain all cuts are square and deburred.

**Step 8:** Install snap-on cover.

# CGT-7, CGT-72, CGT-32, & CGT-75 Flush Mounted Corner Guard Installation Instructions

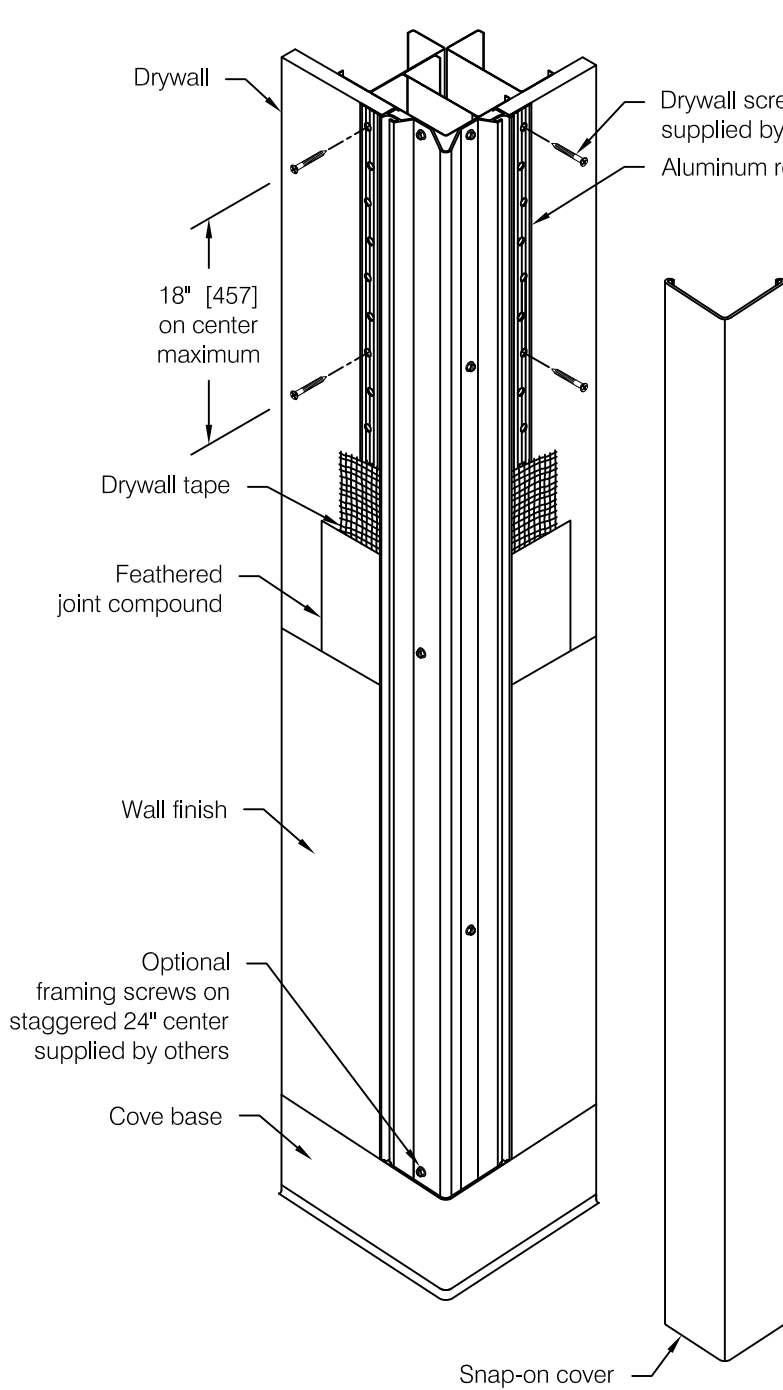


fig 1  
 Full Height Assembly

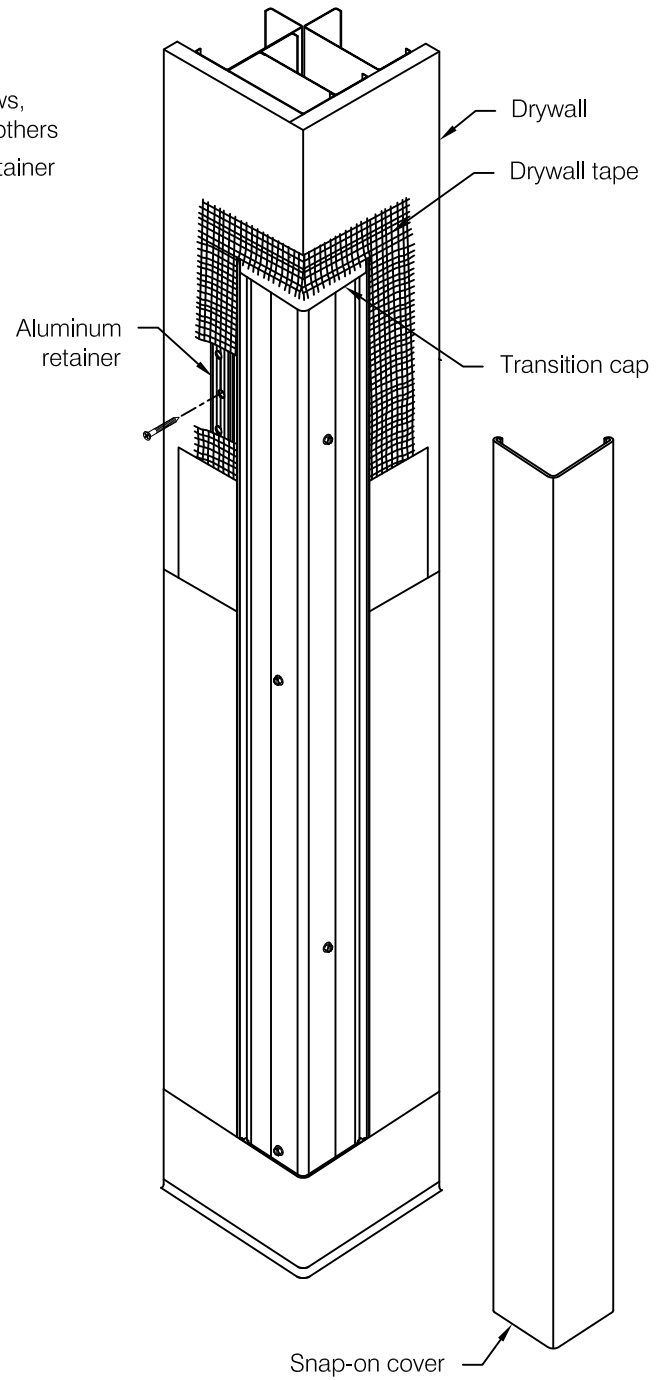


fig 2  
 Partial Height Assembly

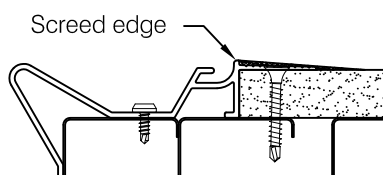


fig 3

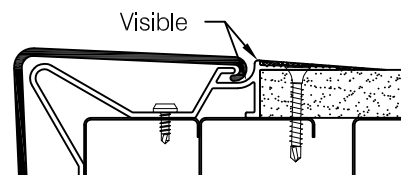
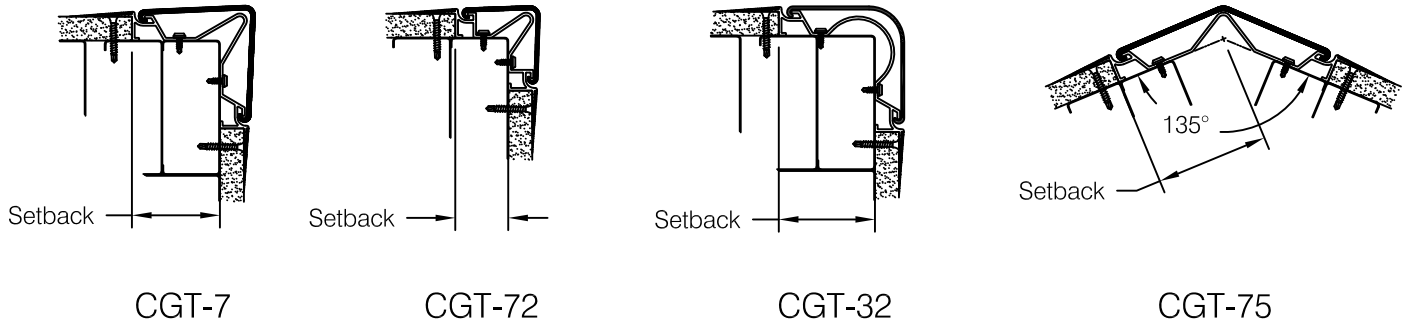


fig 4

## Cutting Adjustment Diagrams and Schedule



	CGT-7	CGT-72	CGT-32	CGT-75
Drywall Setback	2 1/4" [57]	1 3/8" [35]	2 1/2" [64]	2 15/16" [75]

\* Use of sample retainer to check setback during installation is recommended

## Layout Configurations

