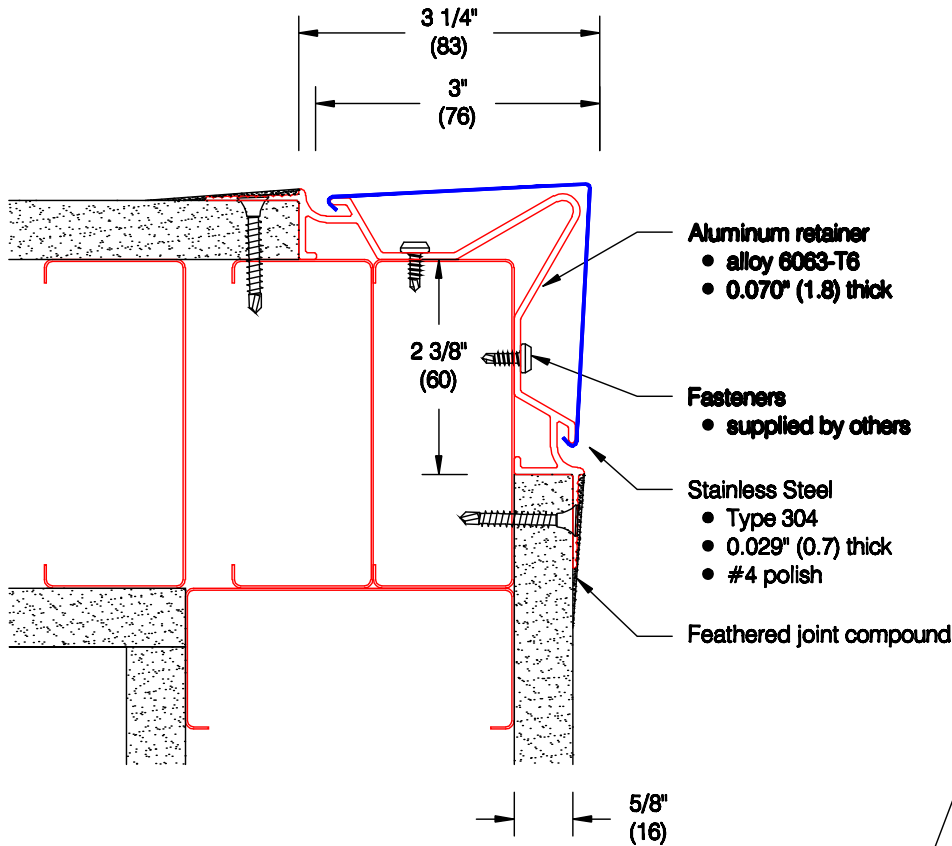


**CG-7S SS Flush Corner Guard**

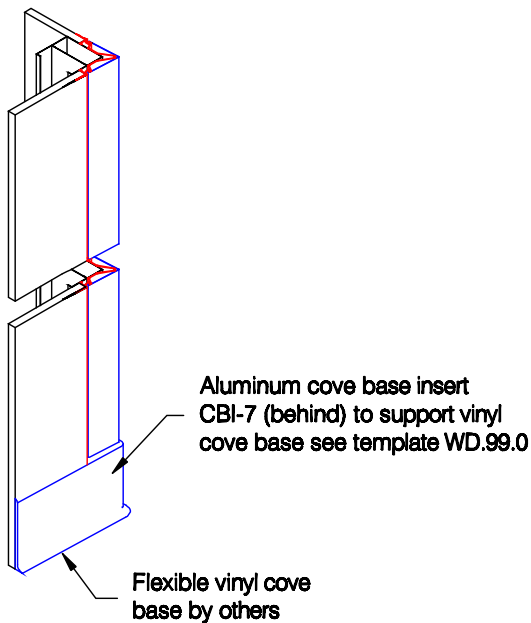


**Features:**

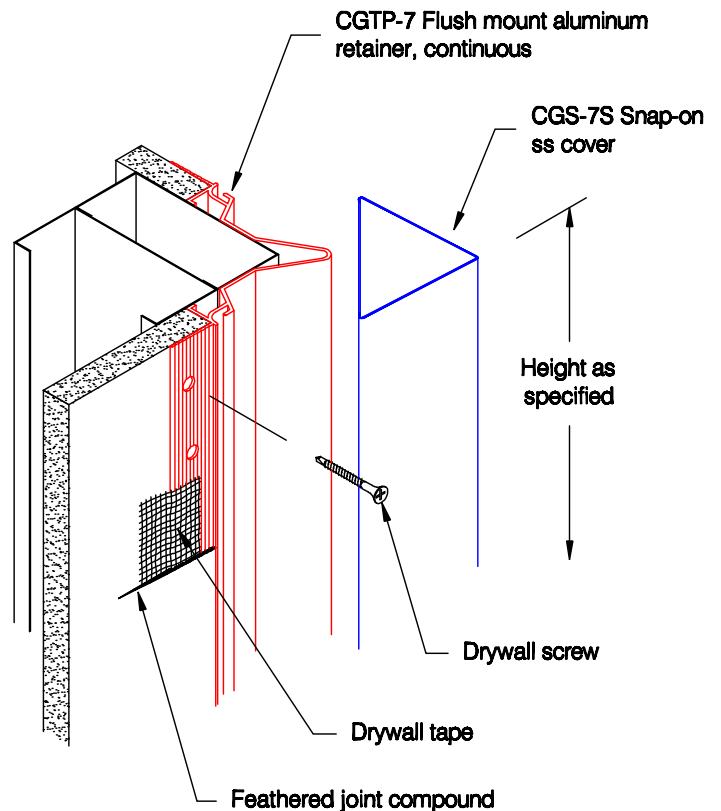
- Class A fire rating
- "Drop-in" installation follows completion of drywall mounting
- Stock lengths: 8'-0" (2438), 9'-0" (2743), 10'-0" (3048), and 12'-0" (3658)
- Custom cut lengths available
- Available with aluminum cover base insert for use with vinyl cover base standard in 4" (102) and 6" (152) heights

**Finishes:**

- Stainless Steel**
- Type 304
  - 24 gauge (.029")
  - #4 polish
- Aluminum retainer**
- Mill finish aluminum



*Optional Cove Base Insert*



*Pawling Corporation reserves the right to discontinue a design or modify an existing design without prior notice*

<b>Customer :</b>	<b>Project :</b>	<b>WD.73.1</b>
<b>Architect :</b>	<b>Sales Rep :</b>	