

BR(*)-4RWW Handrail - Standard Options

Features:

- ADA Compliant
- Wall returns - with hardware
- Outside corners - with hardware
- Inside corners - mitered
- Stock lengths:
 Wood - random 6'-0" (1829) to 16'-0" (4877)
 Aluminum : 12'-0" (3658)

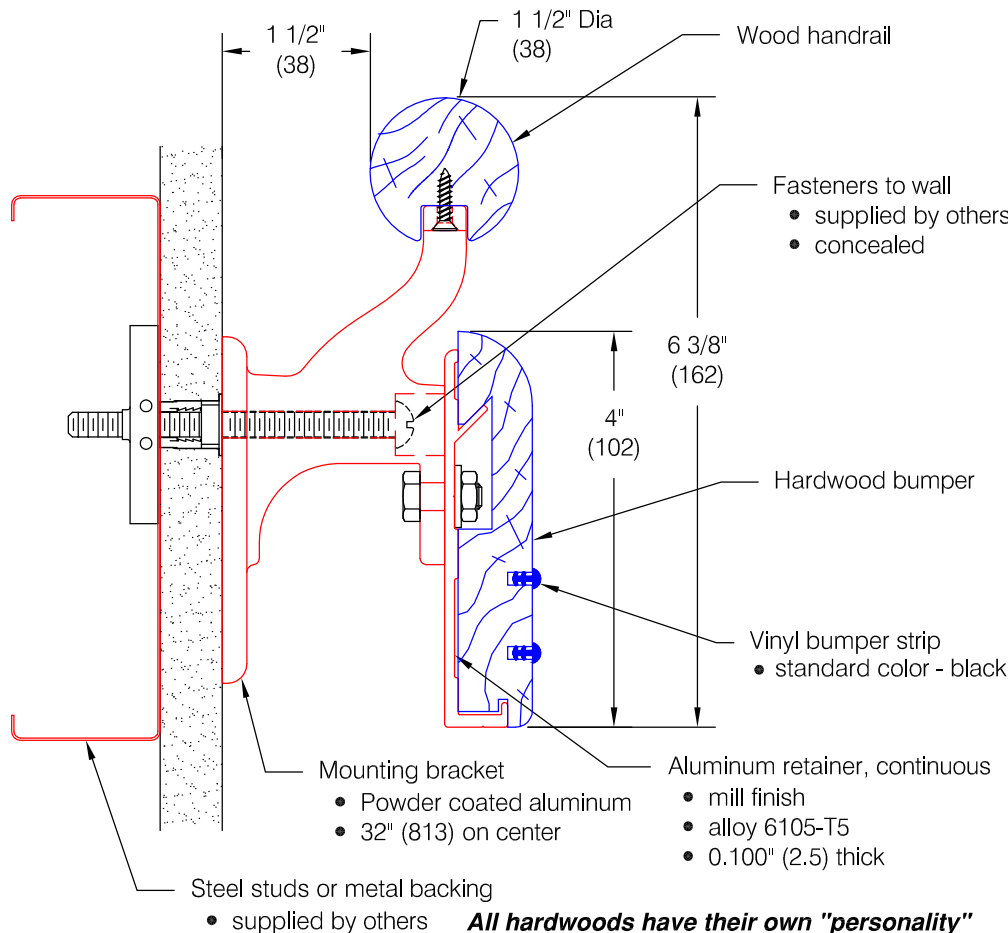
Finishes:

Wood

- Manufacturer's standard stain colors
- Custom stain colors available
- Oak, maple, or ash hardwoods
- Custom woods available

Bracket

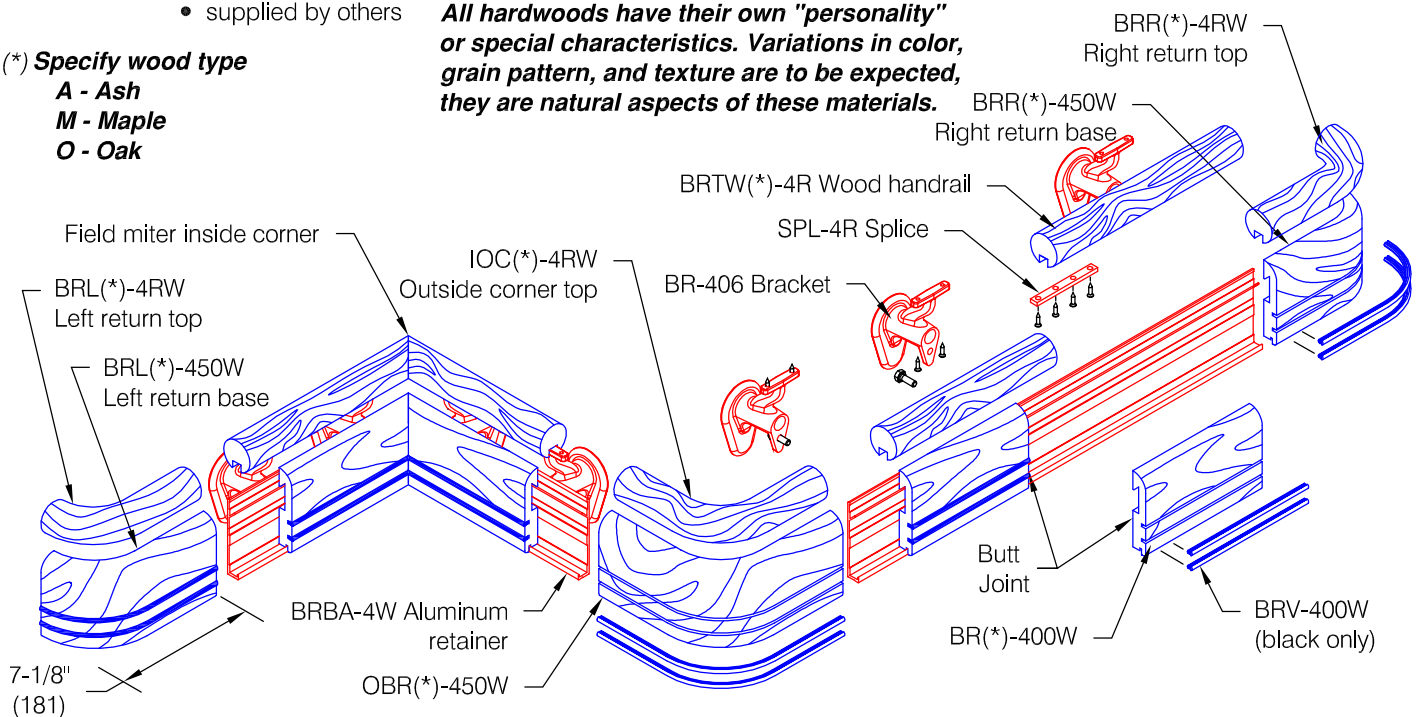
- Powder coated aluminum
- Manufacturer's standard colors
- Concealed wall mount hardware



All hardwoods have their own "personality" or special characteristics. Variations in color, grain pattern, and texture are to be expected, they are natural aspects of these materials.

(*) Specify wood type

- A - Ash**
- M - Maple**
- O - Oak**



Pawling Corporation reserves the right to discontinue a design or modify an existing design without prior notice

Customer :	Project :	WD.184.0
Architect :	Sales Rep :	