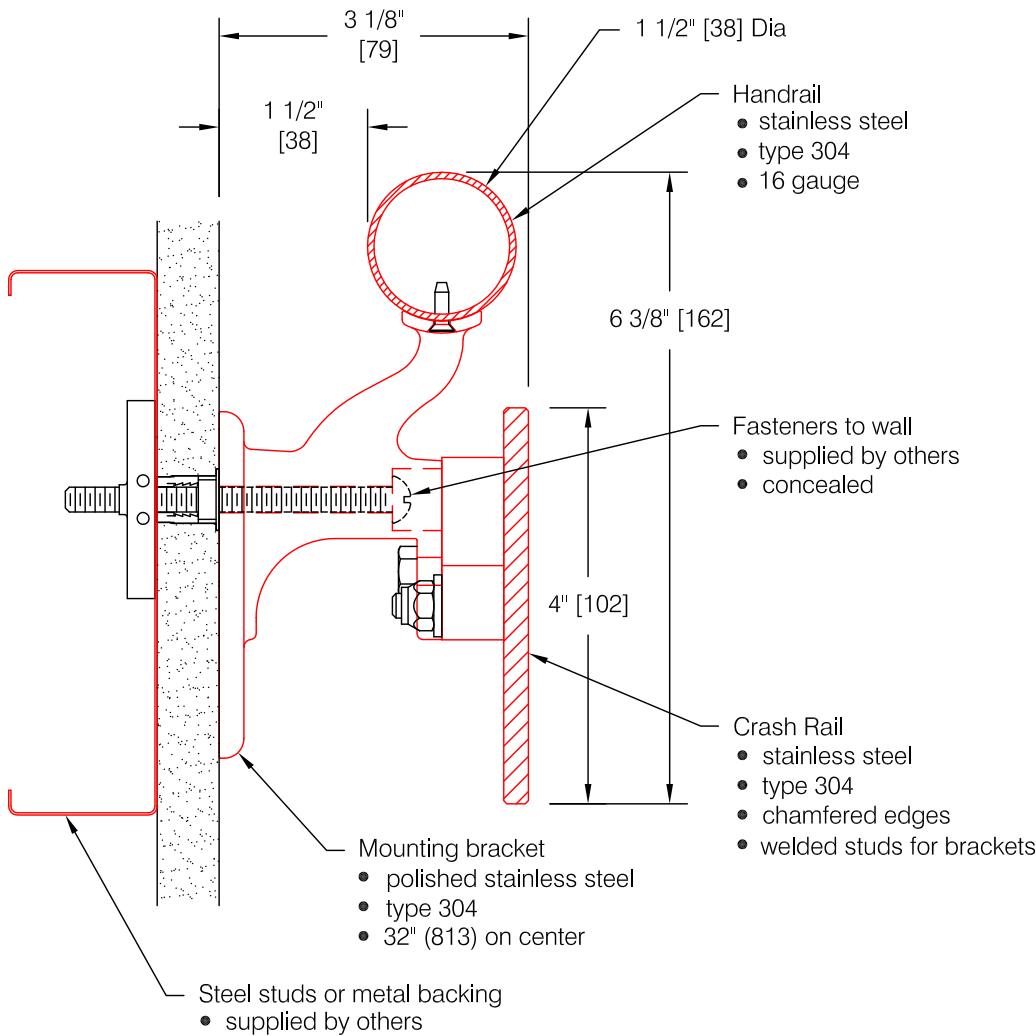


# BR-4RSS Handrail - Standard Options



## Features:

### Handrail

- Wall returns
- Inside/Outside corners
- Stainless mounting brackets
- Concealed wall mount fastening
- Stock lengths: 10'-0" (3048)

### Crash Rail

- Prefabricated to field measurements
- Integral wall return and corner bends
- Blind welded mounting studs for attachment to wall brackets
- Available in aluminum with exposed mounting hardware

## Finishes:

### Handrail

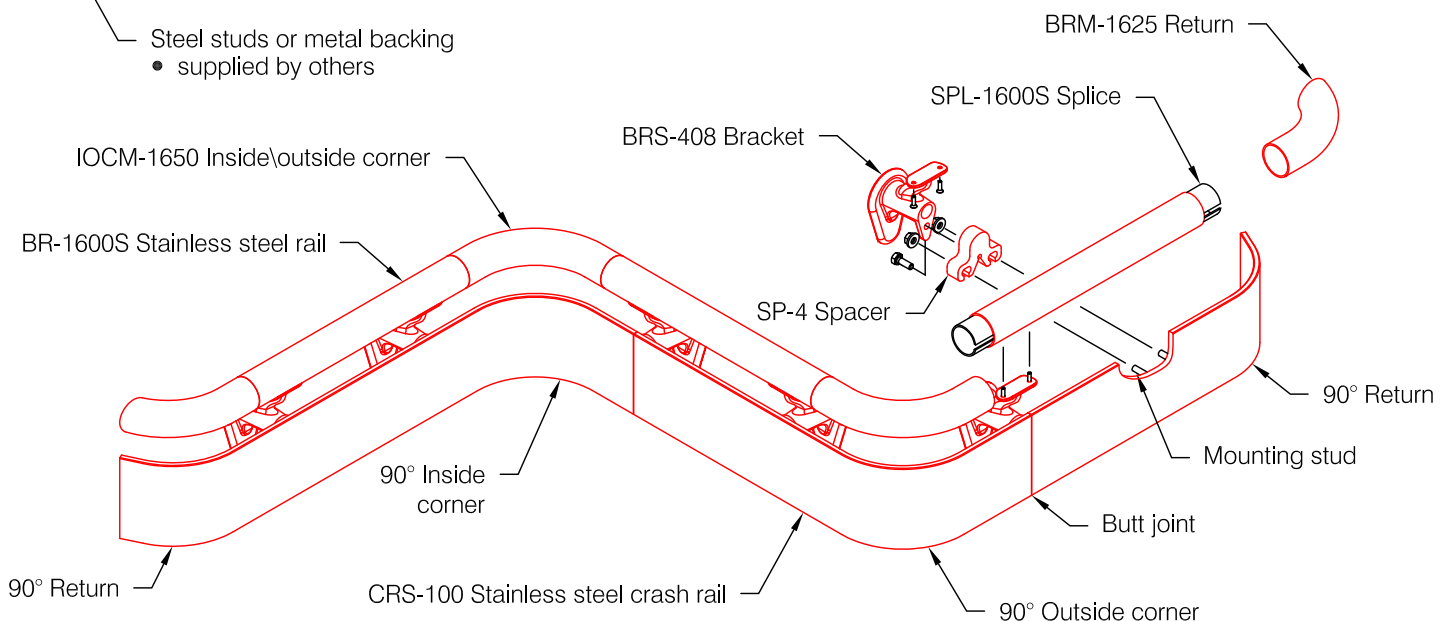
- #4 Satin finish

### Crash Rail

- #4 satin finish

### Optional Bracket

- Powder coated aluminum
- Manufacturer's standard colors
- Custom colors available



Pawling Corporation reserves the right to discontinue a design or modify an existing design without prior notice

Customer :	Project :	WD.196.0a
Architect :	Sales Rep :	