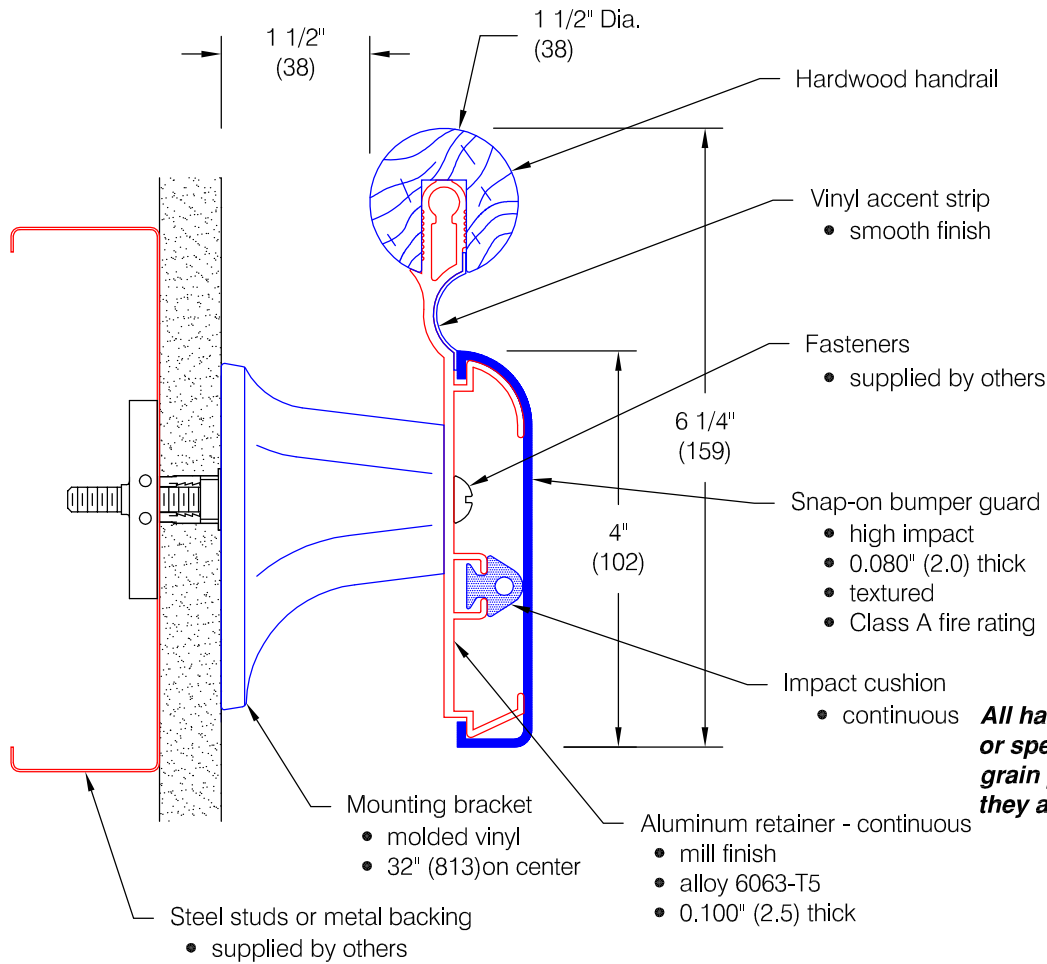


# BR-400C Handrail - Standard Options



### Features:

- ADA Compliant
- Wall returns - with hardware
- Outside corners - with hardware
- Stock lengths:  
 Wood - random 6'-0" (1829) to 16'-0" (4877)  
 Vinyl & Aluminum - 12'-0" (3658)

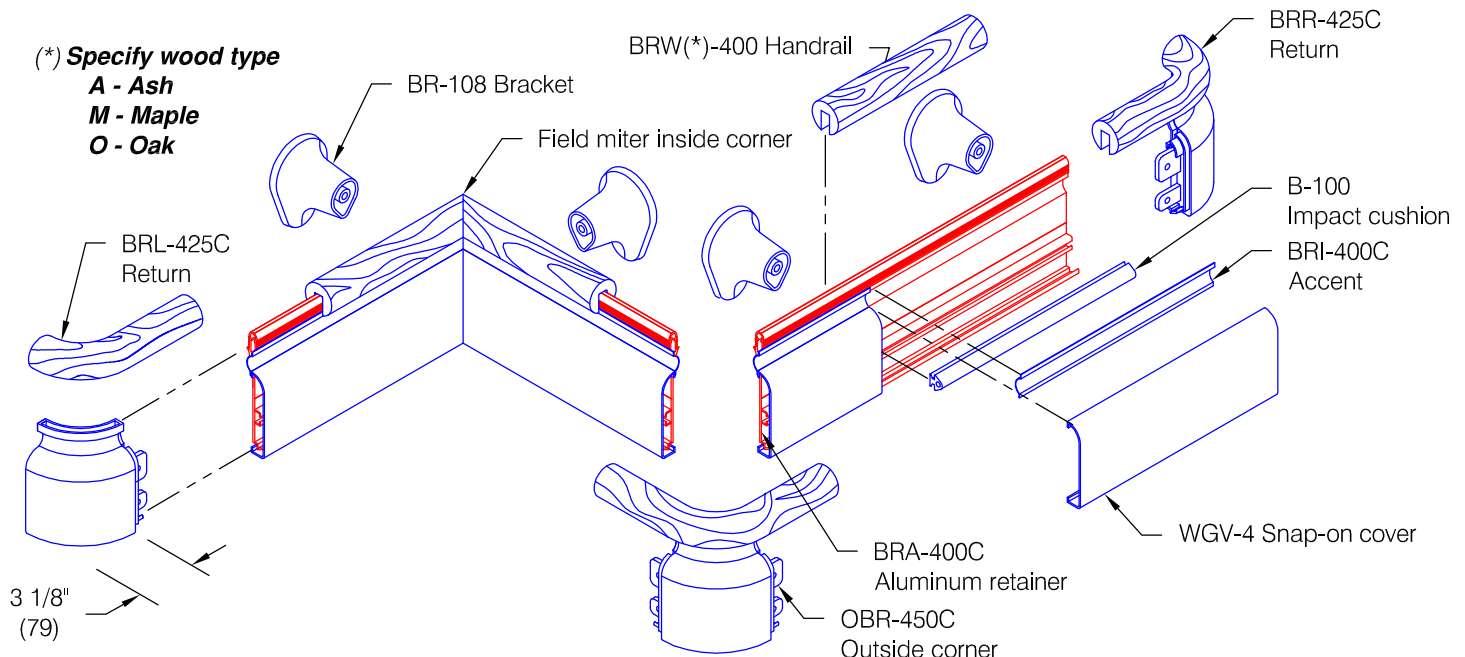
### Finishes:

- Vinyl
- Manufacturer's standard colors
- Wood
- Manufacturer's standard stain colors
  - Oak, maple, or ash hardwoods
  - Custom woods are available
  - Custom vinyl & stain colors are available
  - Grooved vinyl bumper (see WD.4.0)

**All hardwoods have their own "personality" or special characteristics. Variations in color, grain pattern, and texture are to be expected, they are natural aspects of these materials.**

(\* **Specify wood type**

- A - Ash**
- M - Maple**
- O - Oak**



Pawling Corporation reserves the right to discontinue a design or modify an existing design without prior notice

Customer :	Project :	WD.3.0f
Architect :	Sales Rep :	