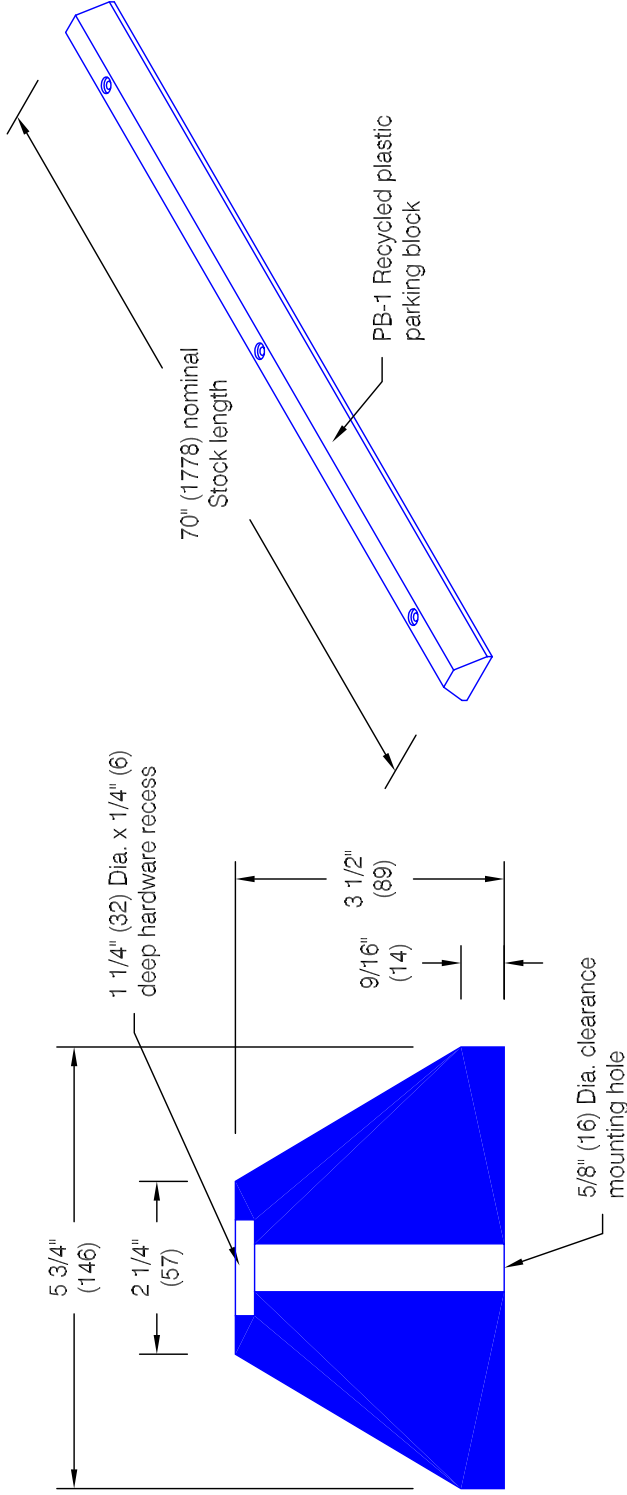


# PB-1 Parking Block



**Features:**

- Manufactured from 100% recycled plastic
- Dimensions and weights are nom.
- Weight: 30 lbs. each
- Stock length: 70" (1778)

**Installation Options:**

- Concrete
- Asphalt
- Truss plate

**Standard Colors:**

- Black #1
- Gray #5
- Handicap blue #8
- White #10
- Safety yellow #70

**To include hardware with the parking block specify:**

**PBT-1**

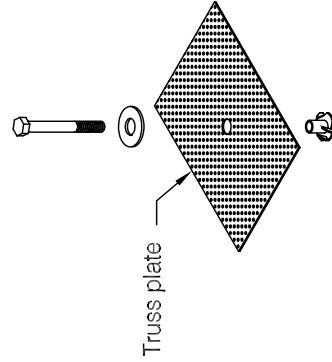
- Truss plate hardware: 3/8" x 3 1/2" hex bolt, flat washer, 5" x 7" mesh plate and T-nut

**PBC-1**

- Concrete hardware: 1/2" (13) x 8" (203) Lag bolt, flat washer, and expansion shield

**PBA-1**

- Asphalt hardware: 12" (305) Spike



Exploded view (PBT-1 hardware)

Pawling Corporation reserves the right to discontinue a design or modify an existing design without prior notice

Customer :

Architect :

Project :

Sales Rep :