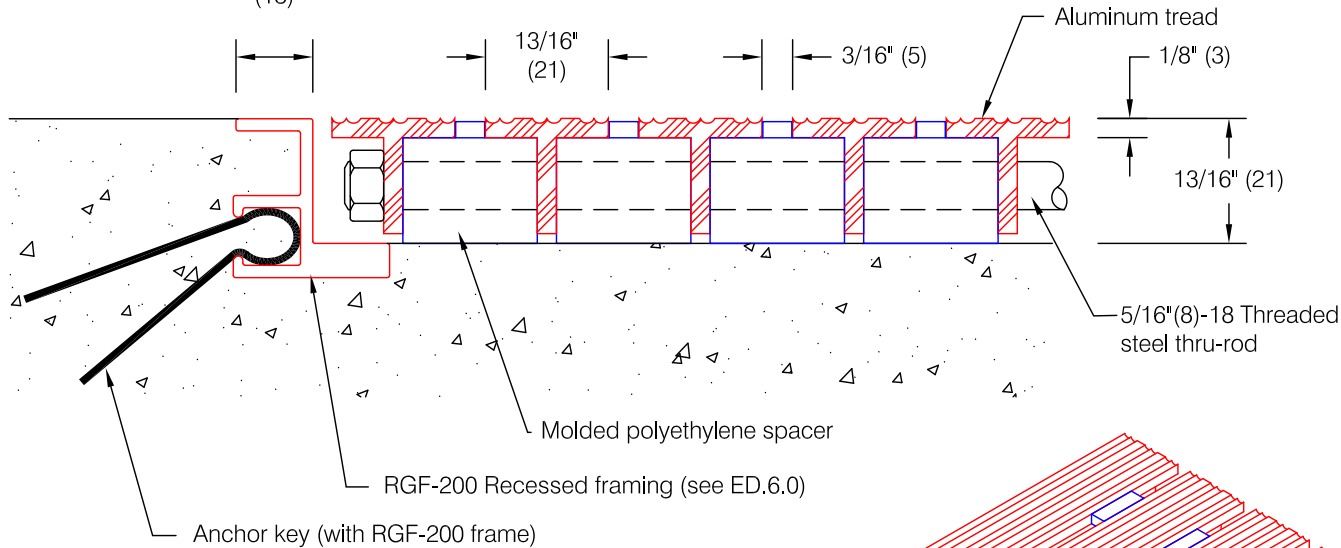


RGA-200 Drain-Well[®] II Aluminum Grating



Features:

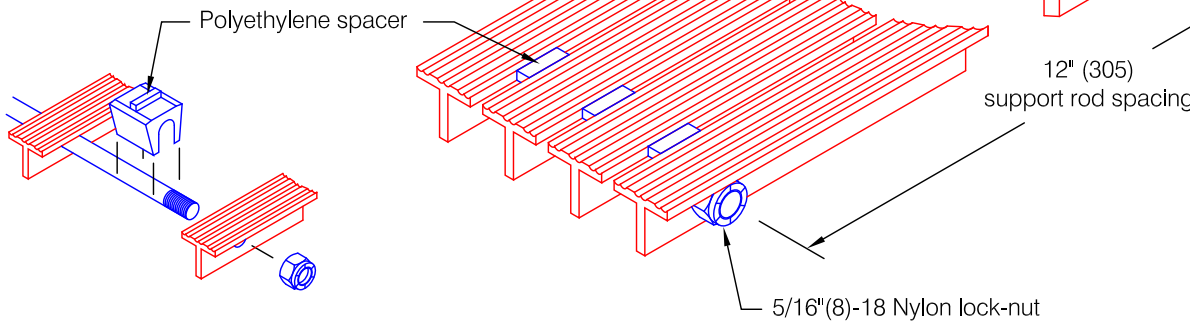
- Extruded aluminum treads, 1/8" (3), alloy 6063-T5
- Molded polyethylene spacer to reduce clatter and eliminate metal contact with floor
- Single section width to 96" (2438)
- Static Coefficient of Friction (ASTM D-2047-82)
 Dry: 0.45, Wet: 0.74

Finishes:

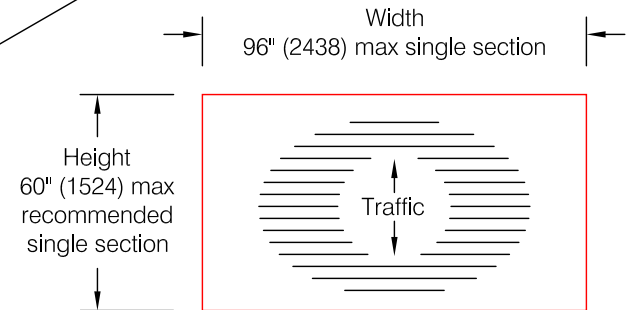
- Aluminum tread:
 Mill finish (standard) #405
- Spacer:
 Molded polyethylene white #10

Note On Dimensions:

* Pawling requires that exact mat opening dimensions be provided. Factory will fabricate mats 1/4" (6) smaller than exact opening dimensions to allow for proper fit.



Sectioning information:



* Mats over 28 square feet may require sectioning as determined by the factory

Pawling Corporation reserves the right to discontinue a design or modify an existing design without prior notice

Customer :	Project :	ED.34.0c
Architect :	Sales Rep :	