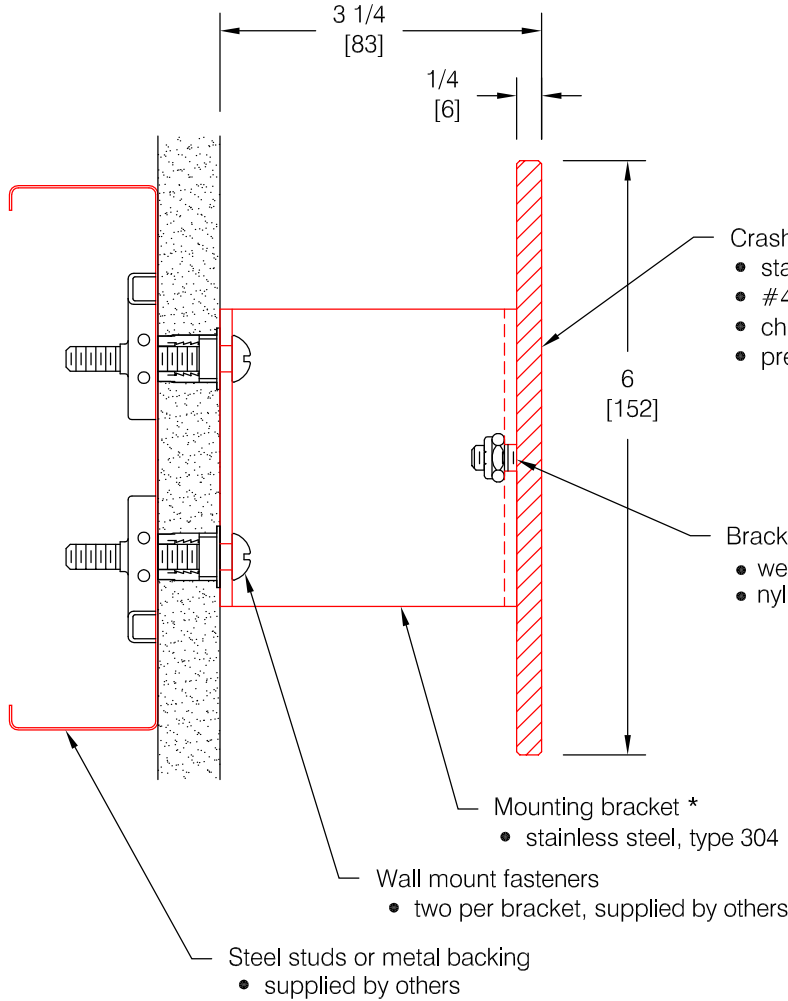


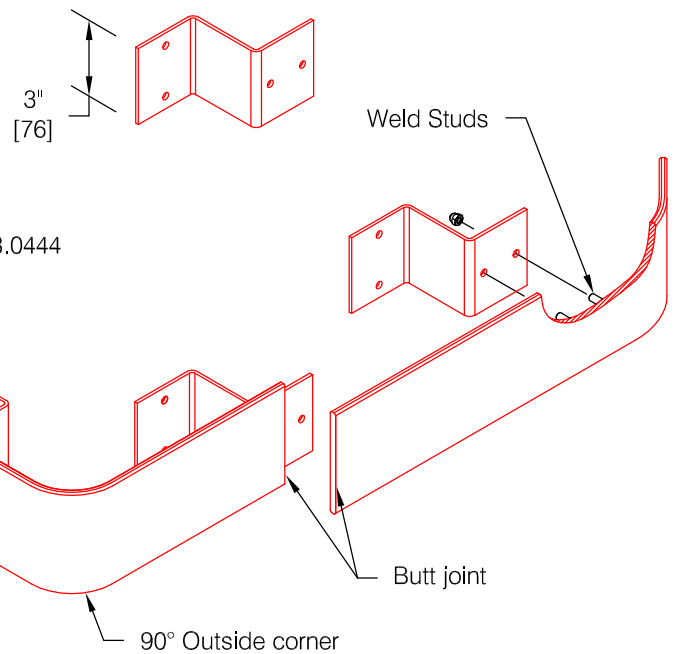
CRS-106-ZBHH Steri-Guard[®]

Features:

- Prefabricated to field verified measurements
- Factory formed 3" radius wall returns and corners
- 12'-0" maximum length without butt-joints
- Corners factory formed to accommodate angles other than 90°
- Bracket standoff 3" standard (as shown) custom standoffs are available



* Nominal bracket spacing 32" on center.
 Actual bracket spacing will vary according to jobsite conditions. Maximum spacing not to exceed 48" (1219).



Pawling Corporation reserves the right to discontinue a design or modify an existing design without prior notice

| | | |
|-------------|-------------|-----------|
| Customer : | Project : | WD.205.4a |
| Architect : | Sales Rep : | |