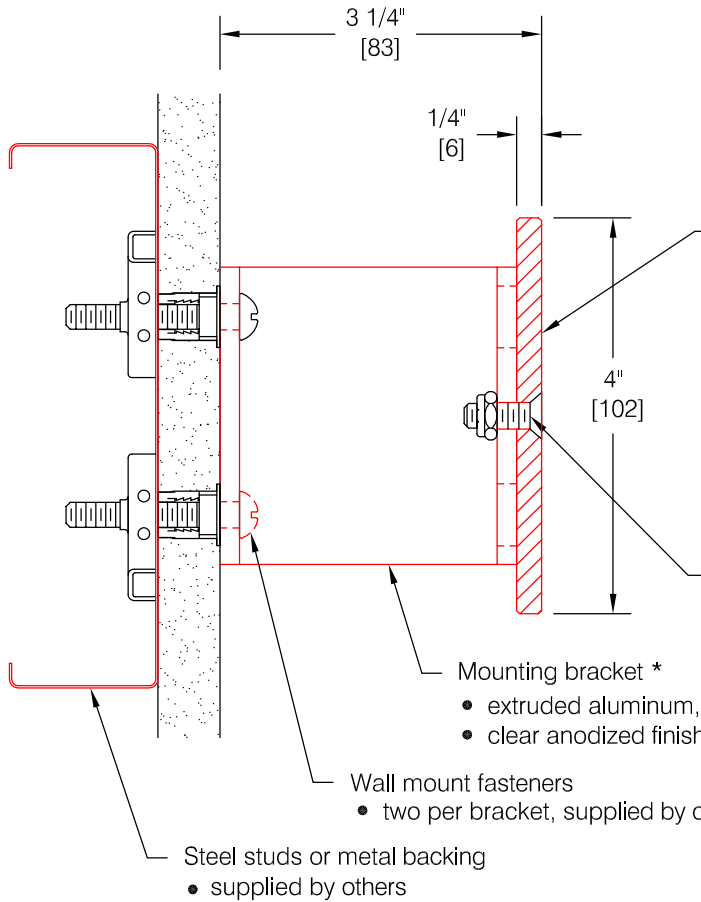


CRS-104-IBSH Steri-Guard®

Features:

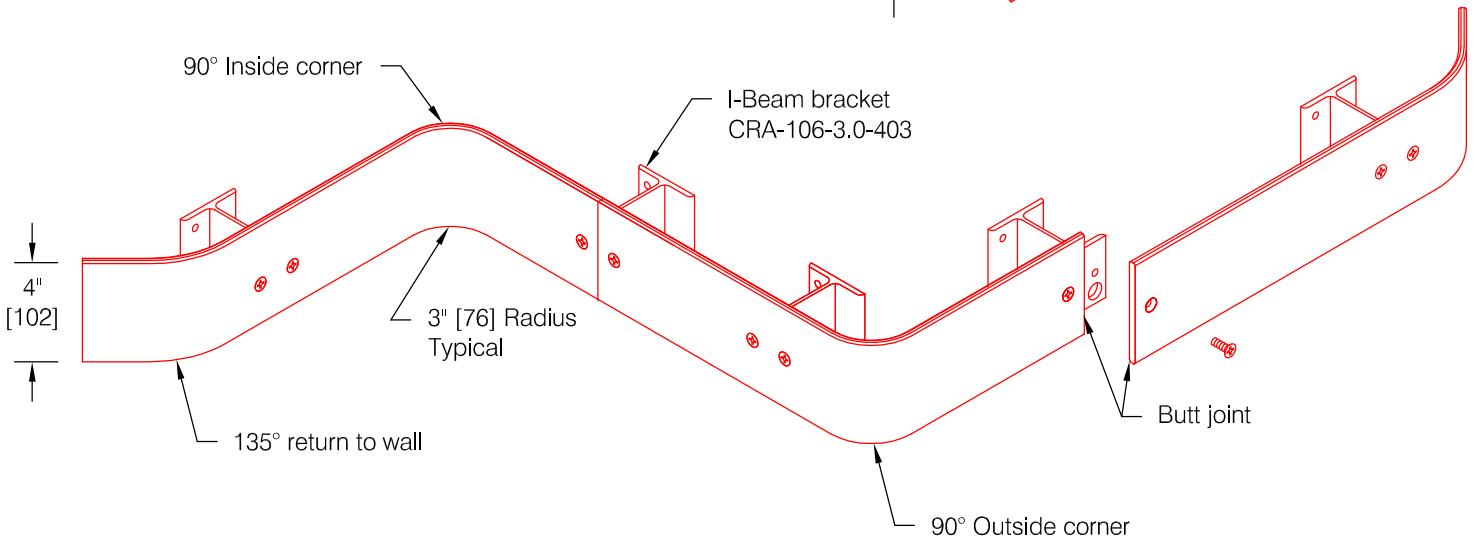
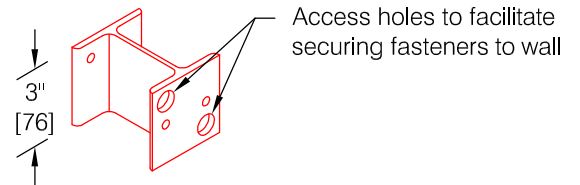
- Prefabricated to field verified measurements
- Factory formed 3" radius wall returns and corners
- 12'-0" maximum length without butt-joints
- Corners factory formed to accommodate angles other than 90°
- Bracket standoff 3" standard (as shown)
1 1/2" and 2" standoffs are available



- Crash rail
 - stainless steel, type 304
 - #4 satin finish
 - chamfered edges
 - predrilled and countersunk for bracket hardware

* Nominal bracket spacing 32" on center.
 Actual bracket spacing will vary according to jobsite conditions. Maximum spacing not to exceed 48" (1219).

- Bracket hardware
 - machine screw, 1/4-20 x 3/4", flat head, stainless steel
 - nylon insert lock nut, stainless steel



Pawling Corporation reserves the right to discontinue a design or modify an existing design without prior notice

Customer :

Project :

Architect :

Sales Rep :

WD.204.0