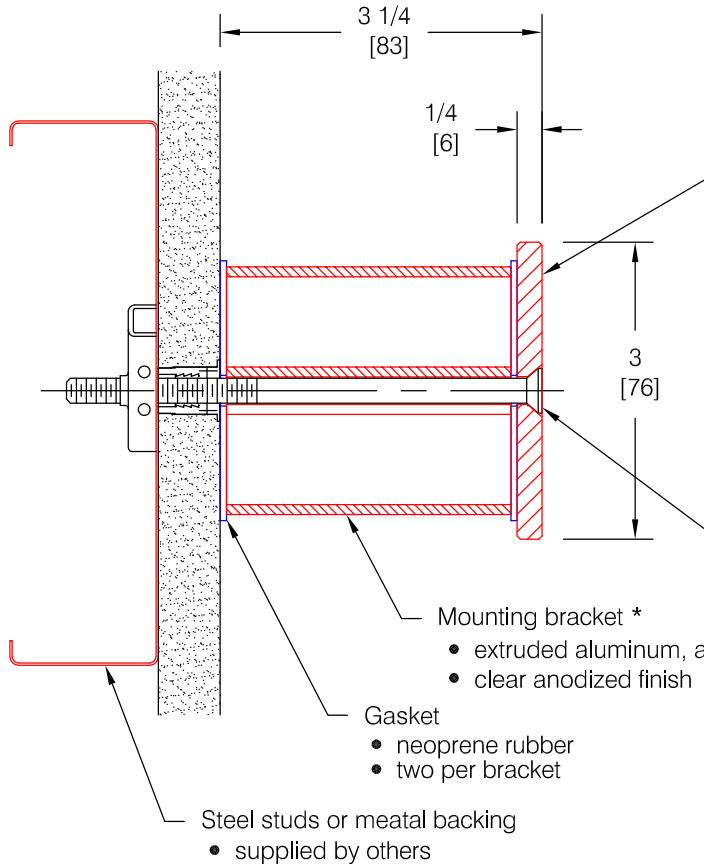


CRS-103-TBSH Steri-Guard[®]

Features:

- Prefabricated to field verified measurements
- Factory formed 3" radius wall returns and corners
- 12'-0" maximum length without butt-joints
- Corners factory formed to accommodate angles other than 90°
- Bracket standoff 3" standard (as shown) custom standoffs are available

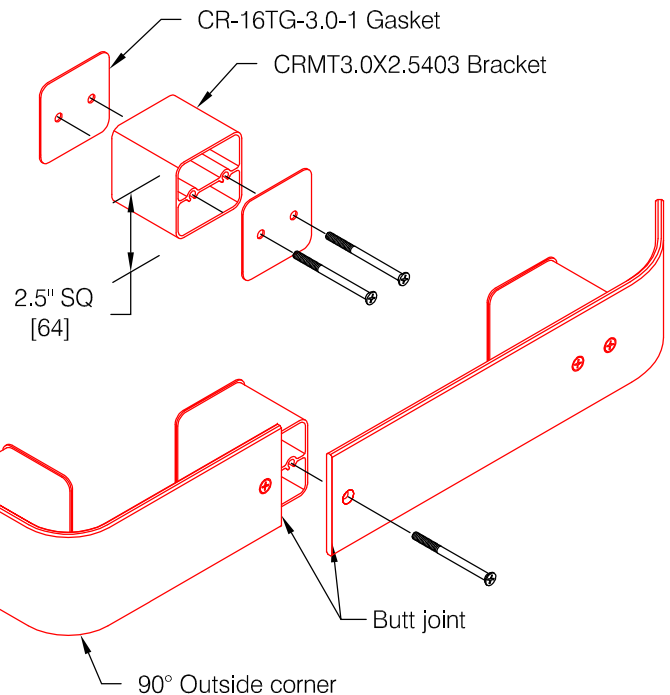


- stainless steel, type 304
- #4 satin finish
- chamfered edges
- predrilled and countersunk for bracket hardware

- stainless steel machine screw, 1/4-20 x 5", flat head
- supplied by others

- extruded aluminum, alloy 6063-T6
- clear anodized finish

* Nominal bracket spacing 32" on center. Actual bracket spacing will vary according to jobsite conditions. Maximum spacing not to exceed 48" (1219).



3" [76]

3" [76] Radius Typical

Pawling Corporation reserves the right to discontinue a design or modify an existing design without prior notice

Customer :

Project :

Architect :

Sales Rep :

WD.203.2a