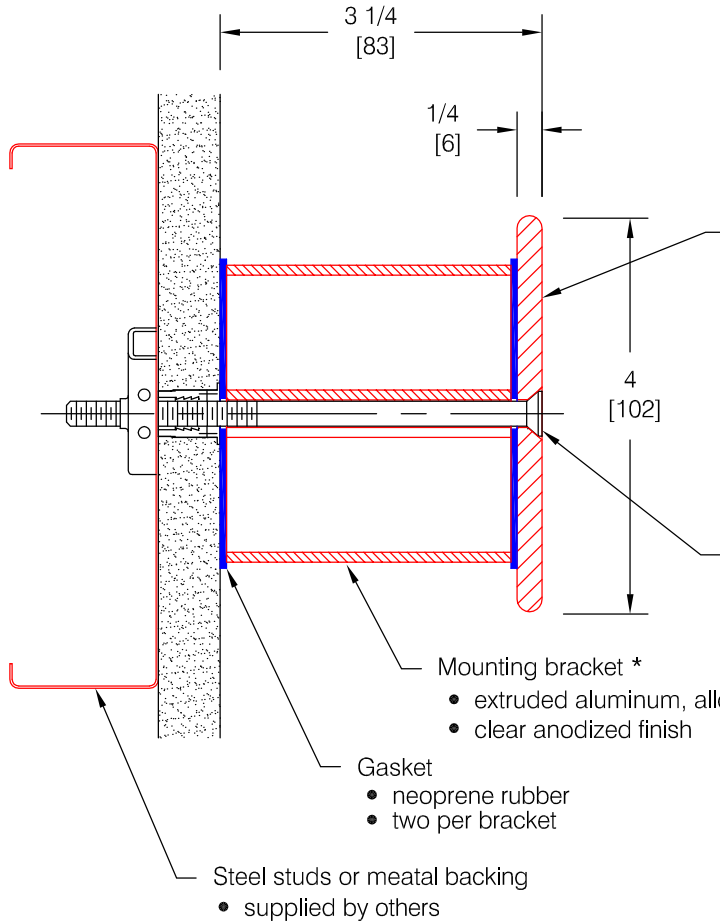


CRA-104-TBSH Steri-Guard[®]

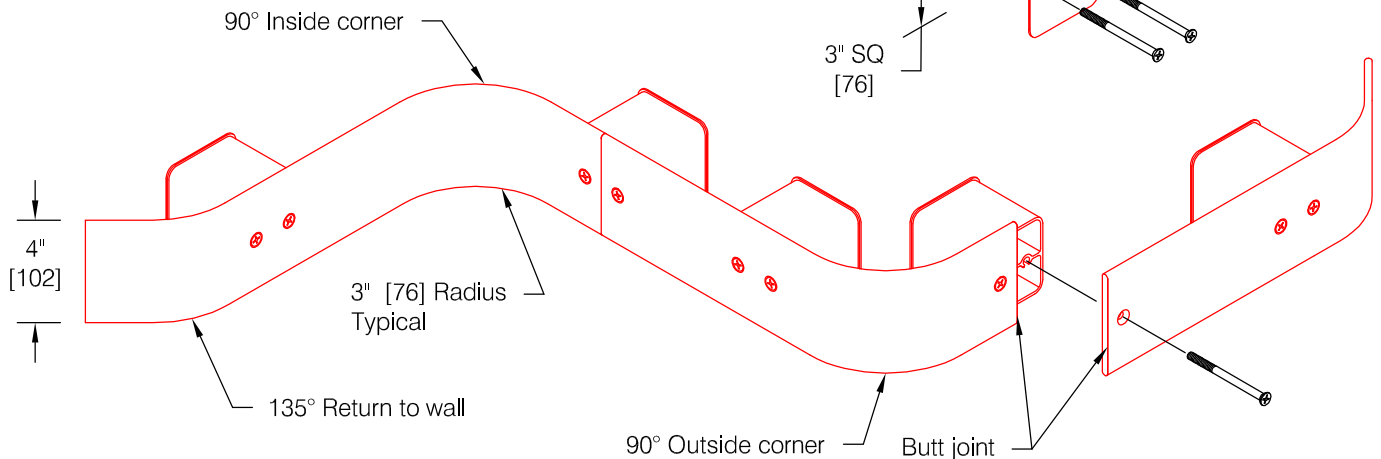
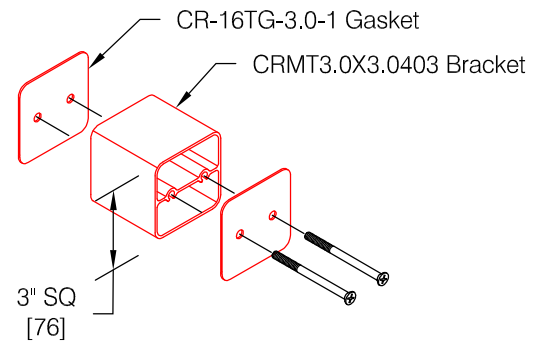
Features:

- Prefabricated to field verified measurements
- Factory formed 3" radius wall returns and corners
- 12'-0" maximum length without butt-joints
- Corners factory formed to accommodate angles other than 90°
- Bracket standoff 3" standard (as shown) custom standoffs are available



- extruded aluminum, alloy 6061-T6
 - clear anodized finish
 - 120 grit finish on outward surface
 - predrilled and countersunk for bracket hardware
- machine screw, 1/4-20 x 5", flat head, stainless steel
 - supplied by others

* Nominal bracket spacing 32" on center. Actual bracket spacing will vary according to jobsite conditions. Maximum spacing not to exceed 48" (1219).



Pawling Corporation reserves the right to discontinue a design or modify an existing design without prior notice

Customer :

Project :

Architect :

Sales Rep :

WD.201.2a