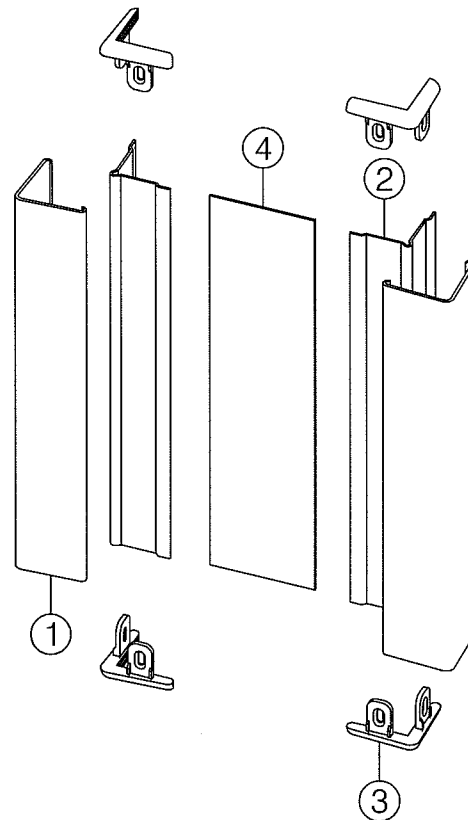
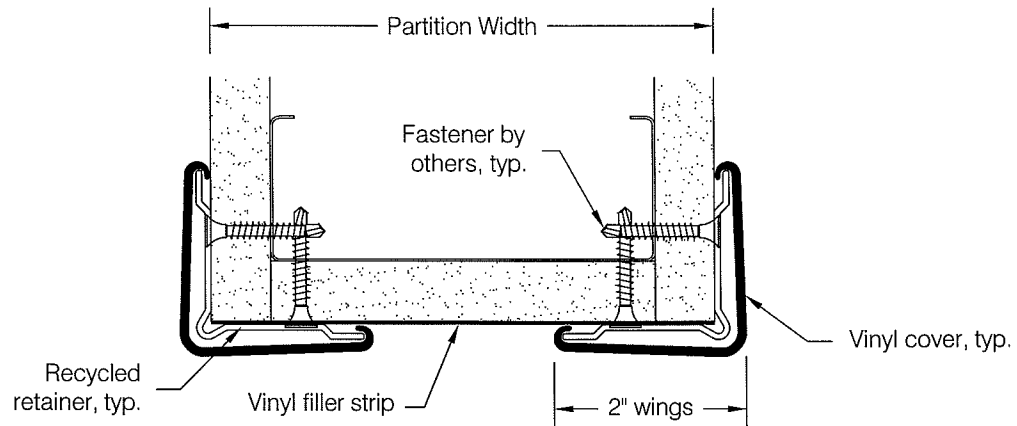


## CG-11R Surface Mounted End Wall Guard



### Component Part Numbers:

- 1.) CGV-20 Snap on cover
- 2.) CGVR-20 Recycled PVC retainer
- 3.) TC-20 Closure cap
- 4.) Vinyl filler strip



Architectural Products Division

## CG-11R Series Surface Mounted End Wall Guard Installation Instructions

**Step 1:** This series of end wall guard is available with molded closure caps. While the installation of caps at each end is considered standard, CG-11 may also be installed with no caps or with caps at either end, see **fig 1**.  
*Note:* Both the recycled retainers and snap on covers are pre-cut at the factory and require no further trimming. Refer to the **Cutting Adjustment Diagrams and Schedule** if it is necessary to alter the product length. The flat end wall filler strip may require cutting. All cuts must be square and deburred.

**Important:** Store material in a clean dry place where the temperature is maintained above 50°F (10°C). Walls and rooms should be maintained at a minimum of 65°F (18°C) for at least 48 hours prior to installation. Acclimate materials to normal building conditions for at least 24 hours before cutting and installing.

**Step 2:** If necessary, cut filler strip lengthwise to a width equal to, or a maximum of 1/8" narrower than, the partition width. Depending on availability the filler strip may be supplied in .030", .040", .060", .093", or .100" thickness. The .030" and .040" material can be cut with a utility knife. Thicker materials should be ripped on a table saw.

**Important:** End of filler strip is visible in CG-11 when finished height is below eyelevel. If adjustment to length is required strip must be cut square and deburred. To minimize any gaps that will occur behind the recycled retainers and closure caps filler strip must be:

- Full height of CG-11 including thickness of closure caps.
- As close to full partition width as possible without hanging over either side.
- Installed centered on the width of the end wall.

**Step 2:** If installing on masonry pre-drill clearance holes in recycled retainer for hardware listed below using a #15 (.180") bit for #8 fastener. Locate mounting holes at closure caps and along the retainer not to exceed 32" on center, see **fig 2**. If installing on gypsum wall with stud backing proceed to **step 3**.

**Step 3:** Position the recycled retainer and filler strip according to the number of closure caps to be used.  
*When using top and bottom caps or top cap only:* Locate the retainer 5/16" below the desired overall height of the installed corner guard inclusive of closure caps, and top of filler strip, see **fig 3a**.

*When using a bottom cap only:* Locate the retainer 5/16" above the desired overall bottom of the installed corner guard inclusive of closure cap, and bottom of filler strip, see **fig 3b**.

*When using no caps:* Locate the retainer at the desired overall bottom of the installed corner guard, flush with end of filler strip, see **fig 3c**.

*Caution:* The recycled retainer for all stock length corner guards is pre-cut to accommodate two closure caps regardless of whether or not they are actually used. As a result the recycled may be supplied at a length shorter than the snap on cover. To ensure the correct mating of closure caps with recycled retainer it is necessary to identify and follow the appropriate closure cap installation condition above.

**Important:** Always make sure there is adequate clearance between closure caps and adjacent construction. If no bottom cap is used the corner guard must contact a surface that will prevent the snap on cover from sliding out of position.

**Step 5:** Using the appropriate hardware according to wall construction, mount recycled retainer to wall with filler strip held in place at the correct height and centered as described in **step 2**. See **step 6** for fastening at closure caps.

*Drywall Installation:* Locate mounting holes at closure caps and along the retainer not to exceed 32" on center, see **fig 2**. If it is necessary to install fasteners in locations where there is no metal backing or stud use pre-drilled recycled as a template to mark and drill wall for plastic Alligator® insert in accordance with instructions provided with hardware.

*Masonry Installation:* Using the pre-drilled recycled as a template, mark and drill the wall at all pre-drilled holes to accept hardware listed below.

**Suggested hardware diameter and type :**

- Drywall with studs : #8 Drill point sheet metal or drywall screw.
- Drywall without stud or backing : Plastic Alligator® insert with #8 sheet metal or drywall screw. Drill in accordance with instructions provided with hardware.
- Masonry : Plastic Alligator® insert with #8 sheet metal or drywall screw. Drill in accordance with instructions provided with hardware.

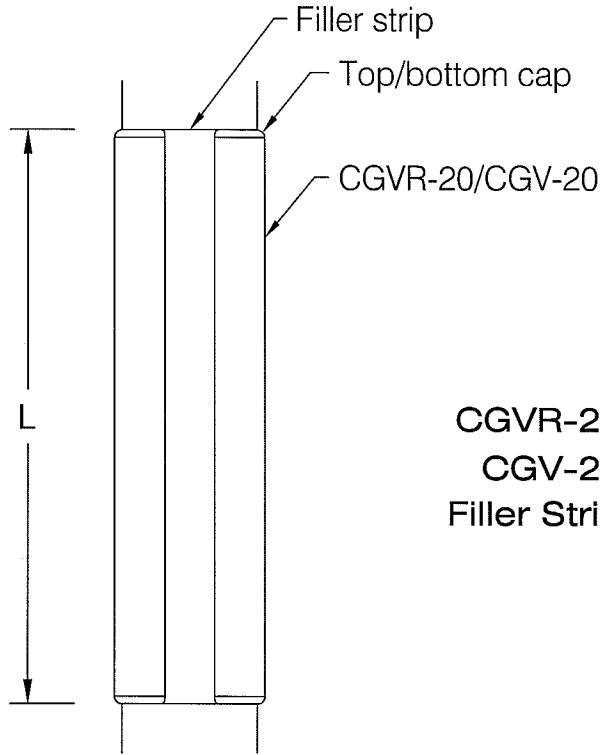
**Suggested hardware head style :**

- To attach closure caps : Bugle head (drywall screw) or flat head
- To secure recycled away from closure caps : Bugle head (drywall screw) or pan head

**Step 6:** Fasten closure caps in place using bugle head or flat head hardware selected in **step 5**. Hold cap firmly in place against recycled while tightening.

**Step 7:** Snap extruded covers in place.

## Cutting Adjustment Diagrams and Schedule



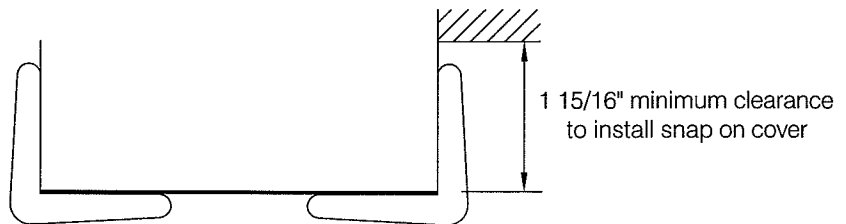
### Aluminum Retainer & Vinyl Cover

	Two Caps	One Cap (see note 1)	No Caps (see note 1)
CGVR-20	L - 5/8"	L - 5/16"	L - 0"
CGV-20	L - 5/8"	L - 5/16"	L - 0"
Filler Strip	L	L	L

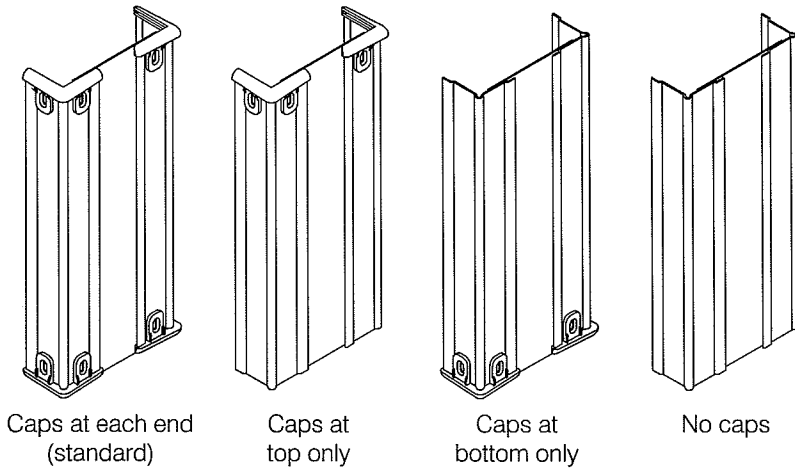
Note:

1.) Cut length of CGVR-20 recycled PVC retainer for this condition may be less than cut length of cover. Retainer length is acceptable as short as L - 5/8".

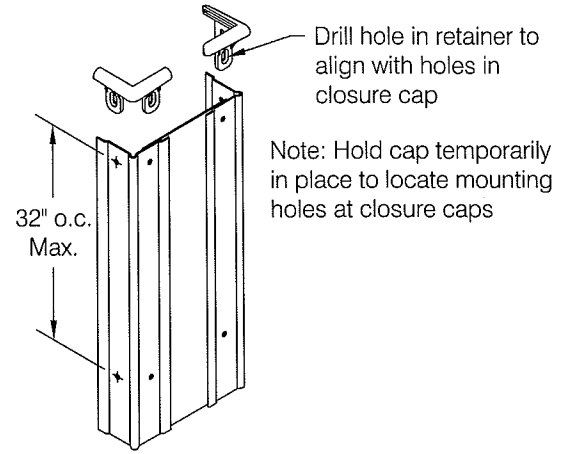
## Minimum Layout Configurations



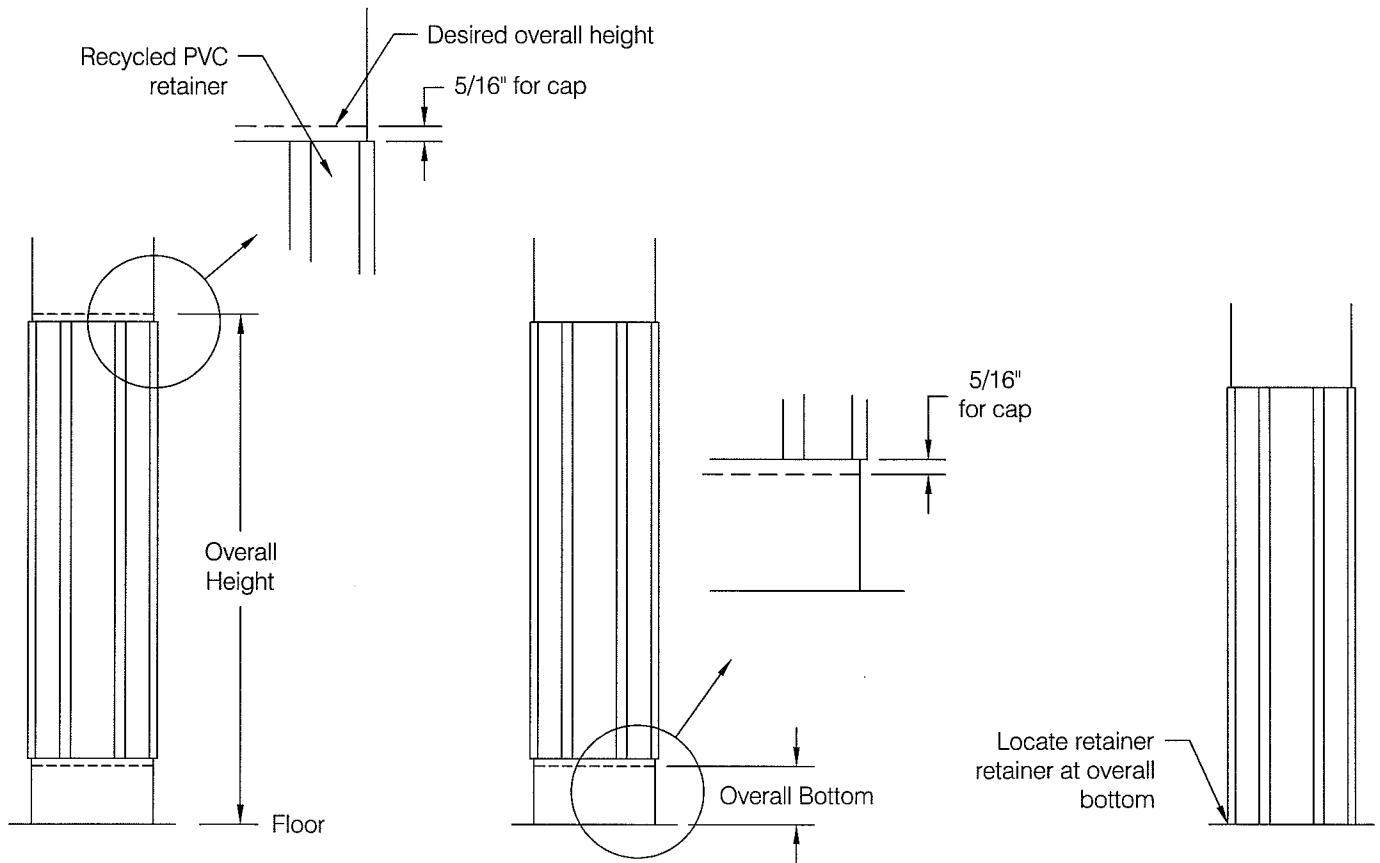
# CG-11R Surface Mounted End Wall Guard Installation Instructions



**fig 1**



**fig 2**



**fig 3a**

**fig 3b**

**fig 3c**