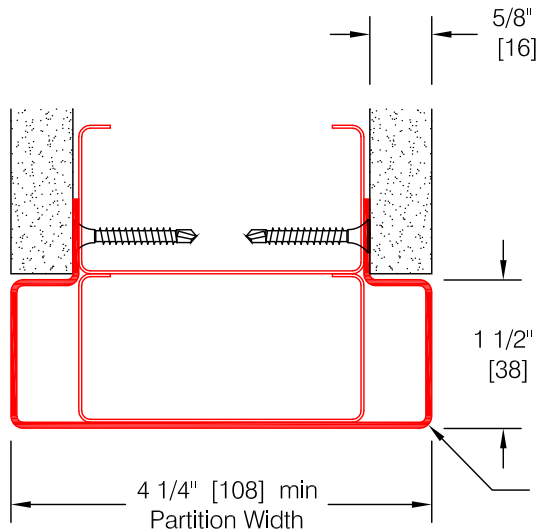


CG-525EW Flush Mount Endwall



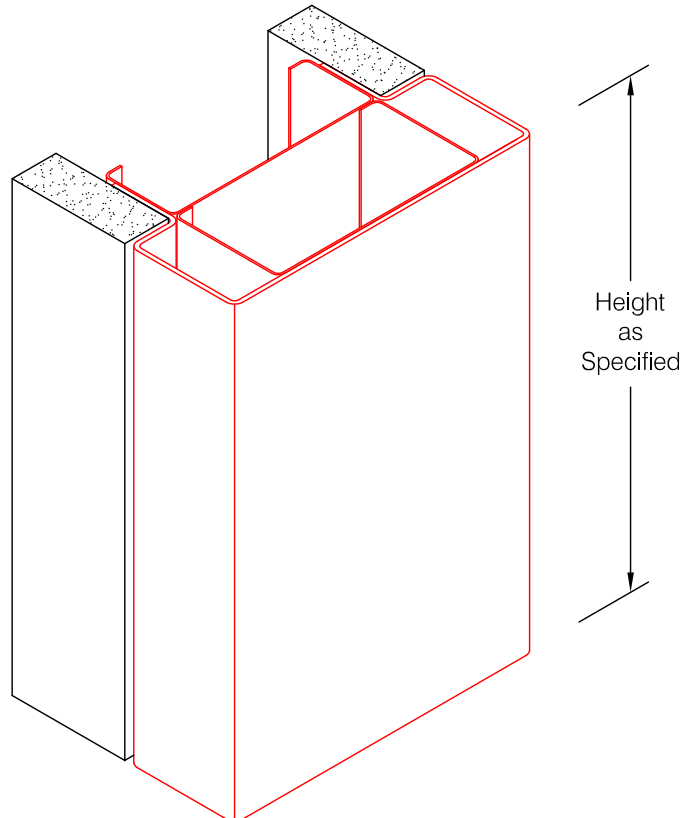
- type 304
- #4 satin finish
- 16 gauge 0.059" (1.5)

Features:

- Stock lengths: 4'-0" (1219) & 8'-0" (2438)
- Type 304 stainless
- Custom lengths, partition widths and wing sizes are available

Mounting Options:

- Standard mounting
- Drilled:
 - Clearance holes for #8 fastener
- Optional mounting
 - Adhesive:
 - ADH-50 adhesive supplied separately



Pawling Corporation reserves the right to discontinue a design or modify an existing design without prior notice

Customer :	Project :	WD.270.2
Architect :	Sales Rep :	