

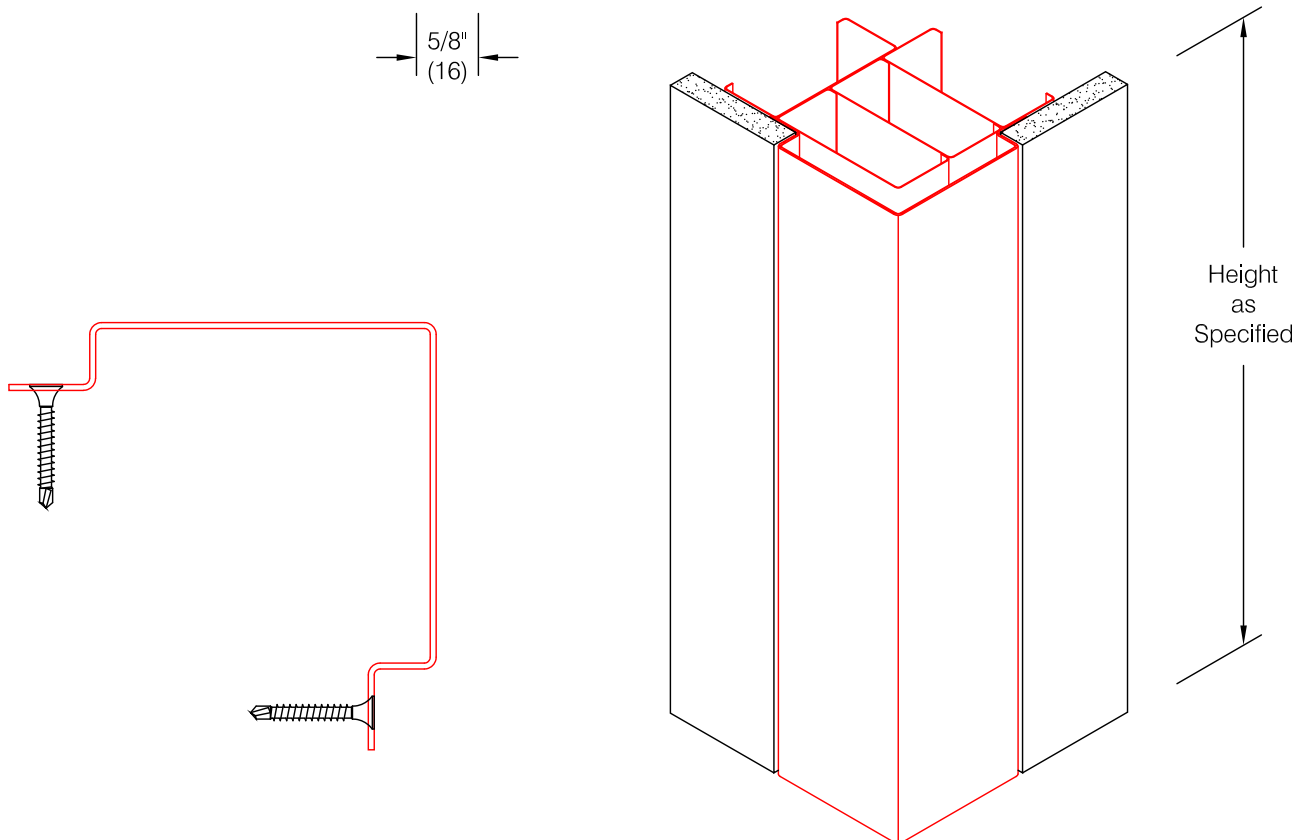
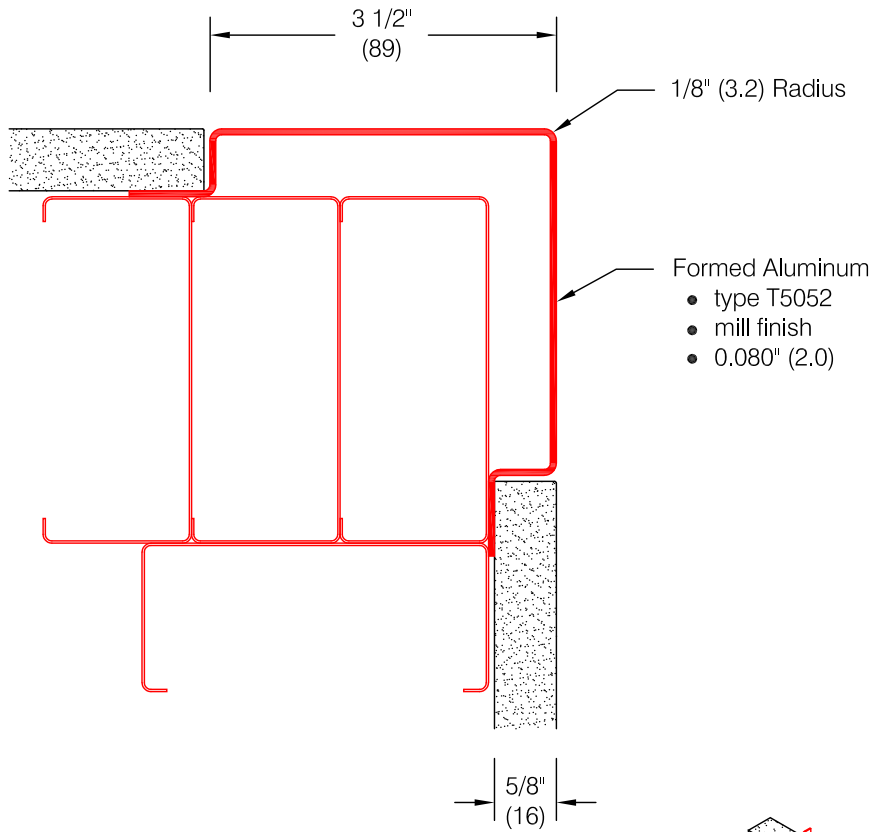
CG-500A Flush Mount Corner Guard

Features:

- Stock lengths: 4'-0" (1219) & 8'-0" (2438)
10'-0" (3048)
- Aluminum T5052
- Custom lengths and wing sizes are available

Mounting Options:

- Standard mounting
Adhesive: ADH-50 adhesive supplied separately
- Optional mounting
Drilled: Clearance holes for #8 fastener



Pawling Corporation reserves the right to discontinue a design or modify an existing design without prior notice

Customer :	Project :	WD.250.1
Architect :	Sales Rep :	